



**Philadelphia Hardware Group Inc.**

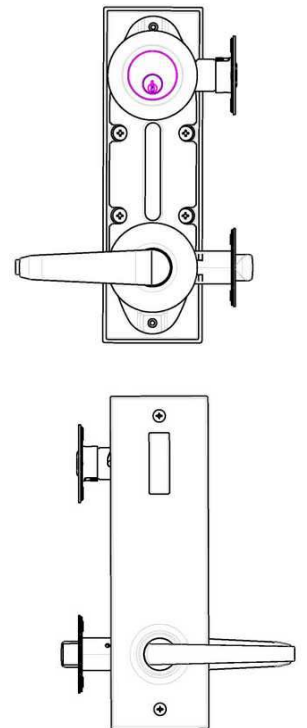
6590 Top Gun Street  
San Diego, CA 92121  
[www.philihardware.com](http://www.philihardware.com)

Tel  
858.642.0450  
858.545.2309  
Fax  
858.642.0454

# IS Series Interconnected Lock

## SPECIFICATIONS

Door Prep	Cross bore: 2-1/8" Mounting (center to center): 5-1/2"
Backset	Fits both 2-3/8" and 2-3/4".
Door Fitting	1-5/8" ~ 2" door thick.
Exposed Trim	Zinc or Stainless steel. Lever is zinc alloy.
Keys	Key as requested (KA, KD, MCK, MK, GMK).
Cylinder	KW1 standard, SC1 optional.
Latch	Upper deadbolt: 2-3/8" and 2-3/4" adjustable. Bolt: 1" throw with hardened steel rod insert. Faceplate: 1" x 2-1/4" round corner. Lower handle: 2-3/8" and 2-3/4" adjustable. Bolt: 1/2" throw. Faceplate: 1" x 2-1/4" round corner. *** UL Latch Optional ***
Strike	Deadbolt: Full lip 1-3/4" x 2-1/4" round corner (9117). Handle: Full lip 1-3/4" x 2-1/4" round corner (9103).
Door Handing	Universal, non-handing
Function	ANSI F95 Entrance Single Locking
Finish	US15 & US26 Standard Other finishes available with minimum order quantity and longer delivery lead-time.
Lever Style	Exterior: San Diego (SD), Charlotte (CT) Interior: SOHO (SH) Standard Other lever style available with minimum order quantity and longer delivery lead-time.
Standard Items	301IS-SD/SH-US15 (Exterior SD Lever/Interior SH lever) 301IS-SD/SH-US26 (Exterior SD Lever/Interior SH lever) 301IS-CT/SH-US15 (Exterior CT Lever/Interior SH lever) 301IS-CT/SH-US26 (Exterior CT Lever/Interior SH lever)



**301IS-SD/SH**

SAN DIEGO

CHICAGO

ATLANTA

DALLAS

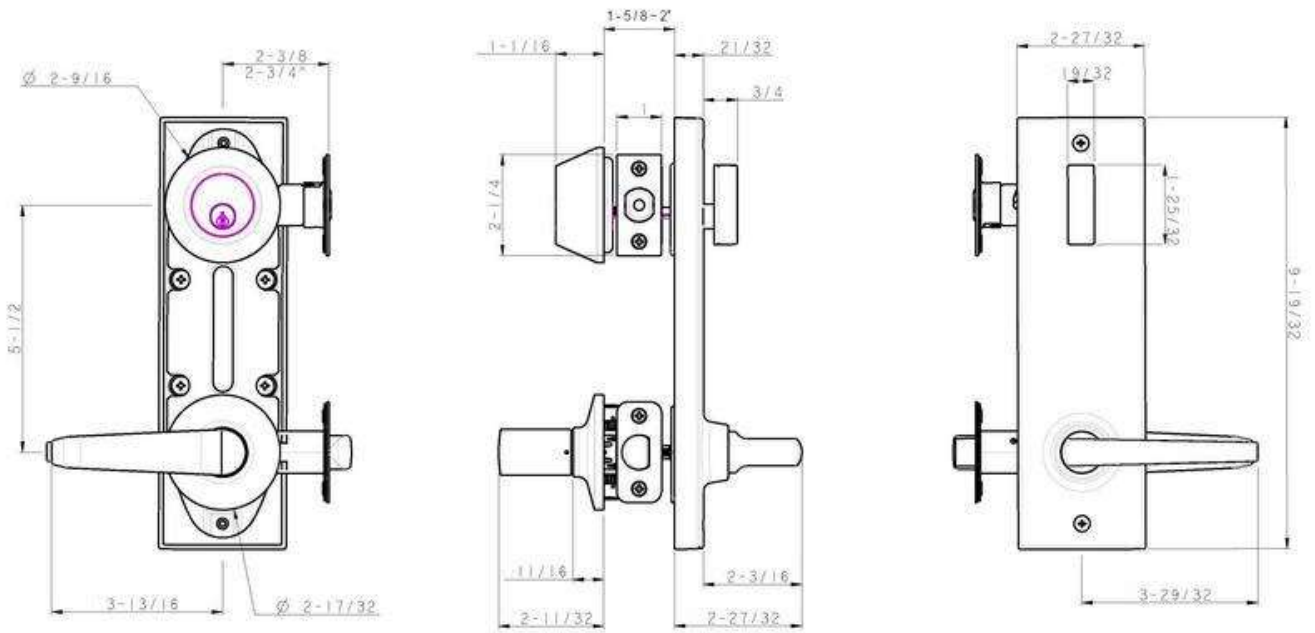


**Philadelphia Hardware Group Inc.**

6590 Top Gun Street  
 San Diego, CA 92121  
[www.philihardware.com](http://www.philihardware.com)

Tel  
 858.642.0450  
 858.545.2309  
 Fax  
 858.642.0454

**DIMENSIONS**



SAN DIEGO (SD)



CHARLOTTE (CT)

**SAN DIEGO**

•

**CHICAGO**

•

**ATLANTA**

•

**DALLAS**