



**Philadelphia Hardware Group Inc.**

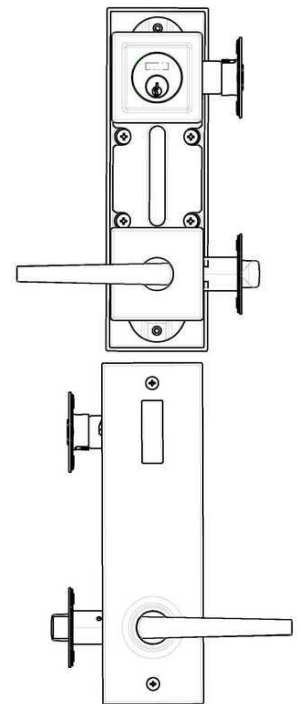
6590 Top Gun Street  
 San Diego, CA 92121  
[www.philhardware.com](http://www.philhardware.com)

Tel  
 858.642.0450  
 858.545.2309  
 Fax  
 858.642.0454

# IP Series Interconnected Lock (square exterior)

## SPECIFICATIONS

Door Prep	Cross bore: 2-1/8" Mounting (center to center): 5-1/2"
Backset	Fits both 2-3/8" and 2-3/4".
Door Fitting	1-5/8" ~ 2" door thick.
Exposed Trim	Zinc or Stainless steel. Lever is zinc alloy.
Keys	Key as requested (KA, KD, MCK, MK, GMK).
Cylinder	KW1 standard, SC1 optional.
Latch	Upper deadbolt: 2-3/8" and 2-3/4" adjustable. Bolt: 1" throw with hardened steel rod insert. Faceplate: 1" x 2-1/4" round corner. Lower handle: 2-3/8" and 2-3/4" adjustable. Bolt: 1/2" throw. Faceplate: 1" x 2-1/4" round corner. <b>*** UL Latch Optional ***</b>
Strike	Deadbolt: Full lip 1-3/4" x 2-1/4" round corner (9117). Handle: Full lip 1-3/4" x 2-1/4" round corner (9103).
Door Handing	Universal, non-handing
Function	ANSI F95 Entrance Single Locking
Finish	US15 & US26 Standard Other finishes available with minimum order quantity and longer delivery lead-time.
Lever Style	SOHO (SH) Standard HOLLYWOOD (HW) and AUSTIN (AT) lever style available with minimum order quantity and longer delivery lead-time.
Standard Items	301IP-SH-US15 301IP-SH-US26



**301IP- SH**



**Philadelphia Hardware Group Inc.**

6590 Top Gun Street  
San Diego, CA 92121  
[www.philhardware.com](http://www.philhardware.com)

Tel

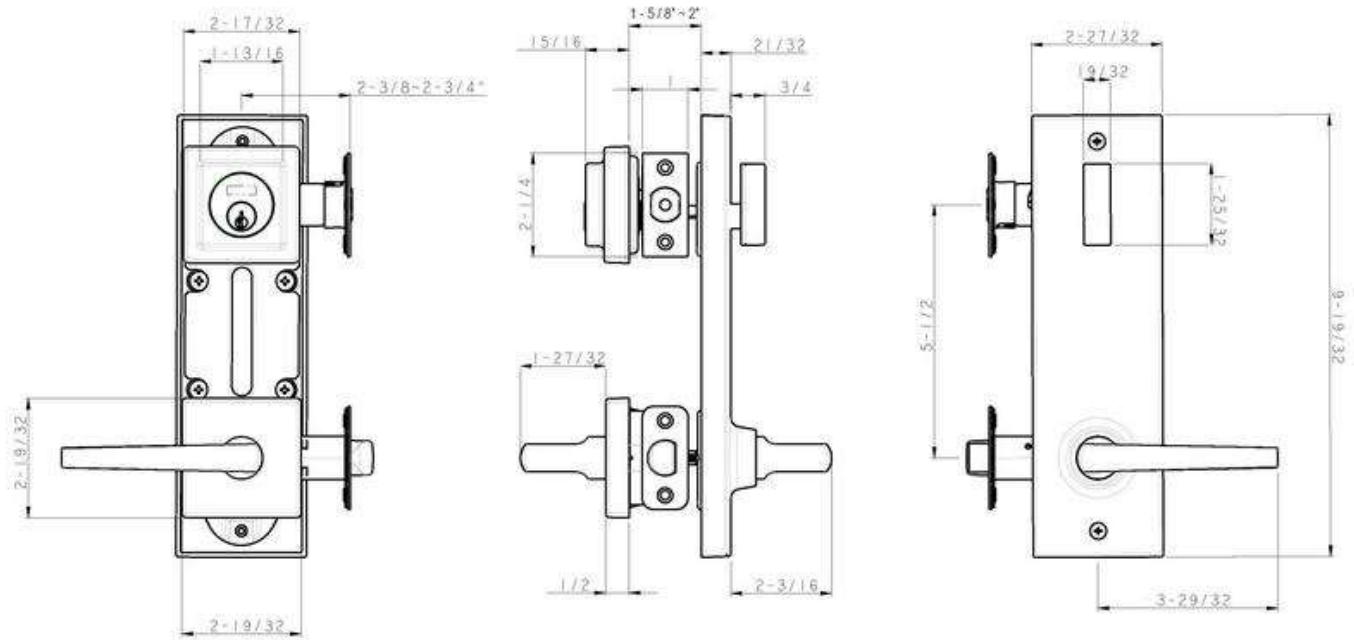
858.642.0450

858.545.2309

Fax

858.642.0454

## DIMENSIONS



SAN DIEGO

•

CHICAGO

•

ATLANTA

•

DALLAS