



Philadelphia Hardware Group Inc.

6590 Top Gun Street
 San Diego, CA 92121
www.philihardware.com
 Tel
 858.642.0450
 858.545.2309
 Fax
 858.642.0454

AGH-157HD Full Surface Gear Hinge

- Full Surface application.
 (Where frame face dimension is limited.)
- Heavy duty for high frequency doors or heavy, medium frequency doors.
- Security channel covers.

SPECIFICATIONS

CLEARANCE:

1/32" (1 mm) minimum recommended for hinge side plus standard lock side clearance.

FASTENERS:

- 1/4-20 x 1-1/4" Sexbolt (Screw + Post)
- #12-24 X 11/16" Flat Head Self-Drill Screws.

LENGTH OPTIONS:

Standard 83" and 95", custom size available.

MATERIAL: Aluminum 6063-T6

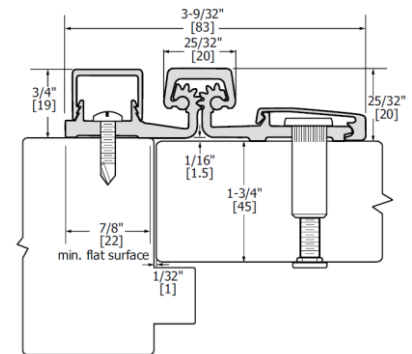


AGH-157HD Gear Hinge

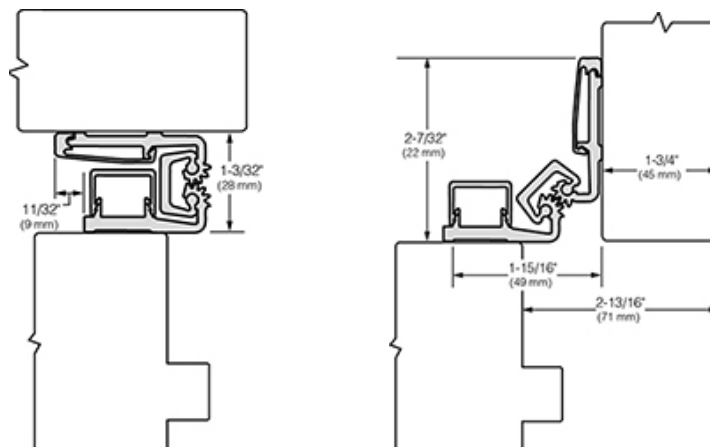
Available Items

ITEM	LENGTH (CM)	FINISH
AGH-157HD-83	83" (210.8)	Clear Anodized
AGH-157HD-83	83" (210.8)	Dark Bronze
AGH-157HD-95	95" (241.3)	Clear Anodized
AGH-157HD-95	95" (241.3)	Dark Bronze

* Special order for other size and finish.



Application Example



SAN DIEGO

CHICAGO

ATLANTA

DALLAS

