



6590 Top Gun Street
San Diego, CA 92121
www.philhardware.com

Philadelphia Hardware Group Inc.

Tel
858.642.0450
858.545.2309
Fax
858.642.0454

AGH-057HD Full Surface Gear Hinge

- Full Surface application.
Bi-fold applications
- Heavy duty for high frequency doors or heavy, medium frequency doors.
- Security channel covers.

SPECIFICATIONS

CLEARANCE:

1/32" (1 mm) minimum recommended for hinge side.

FASTENERS:

- 1/4-20 x 1-1/4" Sexbolt (Screw + Post)
- #12-24 X 11/16" Flat Head Self-Drill Screws.

LENGTH OPTIONS:

Standard 83" and 95", custom size available.

MATERIAL: Aluminum (6063-T6)

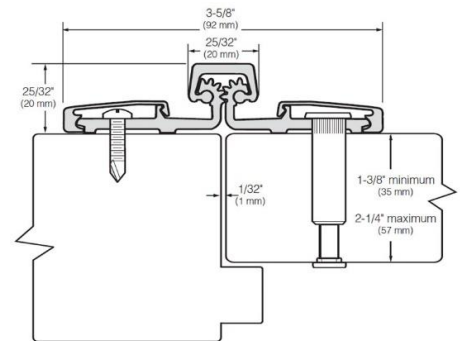


AGH-057HD Gear Hinge

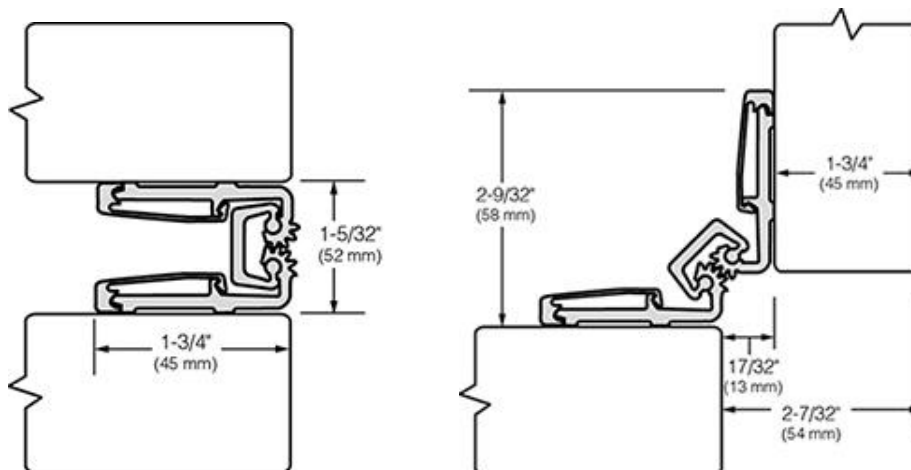
Available Items

ITEM	LENGTH (CM)	FINISH
AGH-057HD-83	83" (210.8)	Clear Anodized
AGH-057HD-83	83" (210.8)	Dark Bronze
AGH-057HD-95	95" (241.3)	Clear Anodized
AGH-057HD-95	95" (241.3)	Dark Bronze

* Special order for other size and finish.



Application Example



SAN DIEGO

CHICAGO

ATLANTA

DALLAS



6590 Top Gun Street
 San Diego, CA 92121
www.philhardware.com

Philadelphia Hardware Group Inc.

Tel
 858.642.0450
 858.545.2309
 Fax
 858.642.0454

APPLICATION TEMPLATE:

Example of 83"

