



6590 Top Gun Street
San Diego, CA 92121
www.philhardware.com

Philadelphia Hardware Group, Inc.

Tel
858.642.0450
858.545.2309
Fax
858.642.0454

DGA-58 Safety Door Guard

FEATURES

- For use on doors that are flush with frames.
- The bar interlocking with the ball on the strike plate, design permits the door to be slightly opened to allow viewing.
- Shims available in Plastic (S-59 gray) or Rubber (S-59B black), 1/8" thick. Used under the strike to aligning with the body on the jamb.

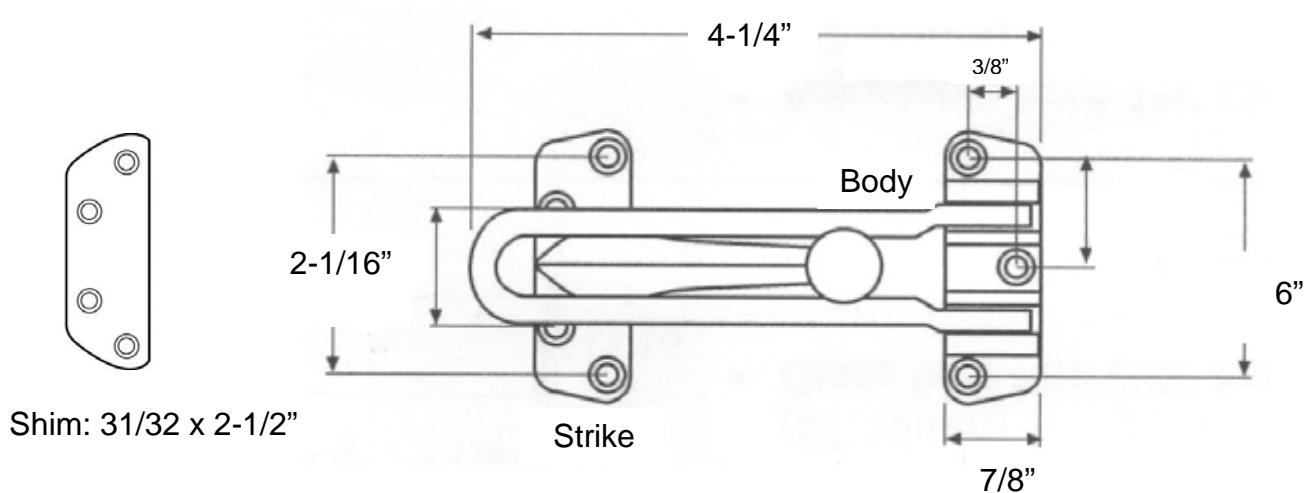
SPECIFICATIONS

- Material: Zinc Alloy
- Surface Mount Application
- Furnished with Mounting Screws

FINISH

- US3
- US5
- US26
- US26D

DIMENSIONS



Shim: 31/32 x 2-1/2"

Not to Scale