



Philadelphia Hardware Group Inc.

6590 Top Gun Street
San Diego, CA 92121
www.philihardware.com
Tel
858.642.0450
858.545.2309
Fax
858.642.0454

DS-02 Wood Door Silencer

FEATURES

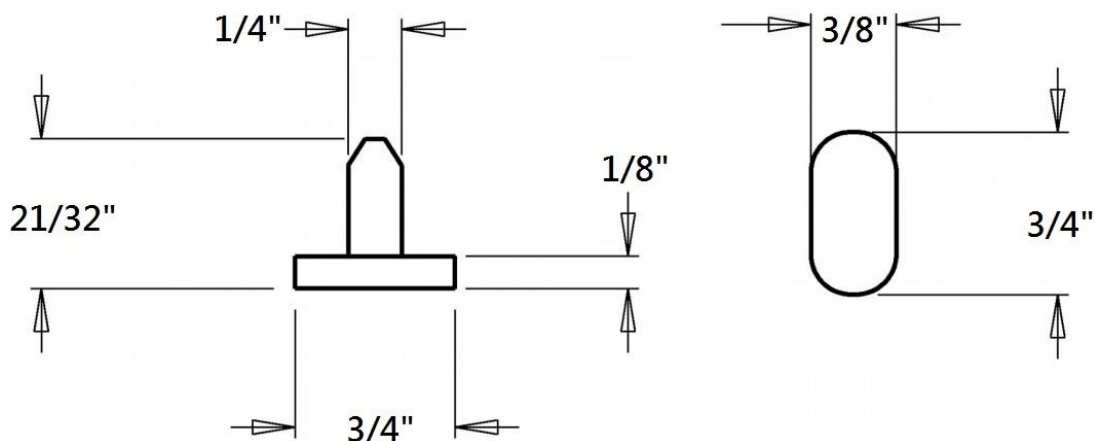
- Door cushioning rubber for use on Wood Door Frames.
- Absorb shock and reduce noise while closing door.
- Eliminates door rattle and provides constant tension for door latches or locks.
- Meets ANSI 156.16 for **L03021**



SPECIFICATIONS

- Material: Rubber
- Size: 3/4" long x 3/8", 9/64" Projection.
- Finish: Gray

DIMENSION



Unit: inch

SAN DIEGO

CHICAGO

ATLANTA