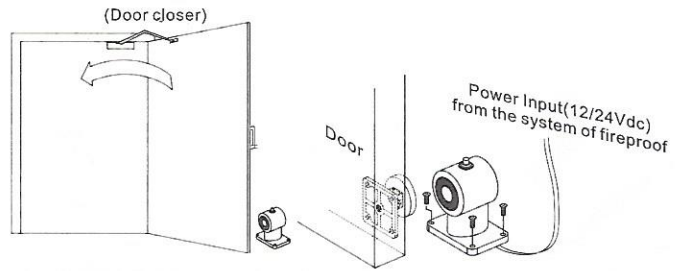
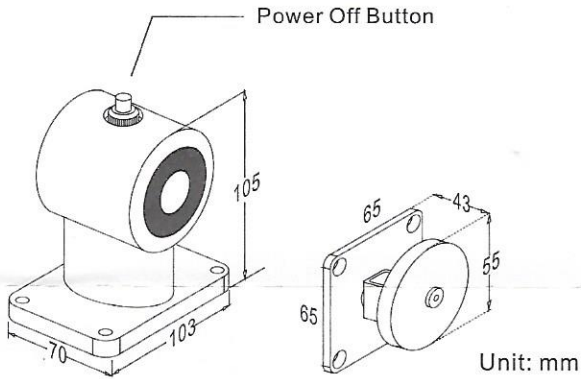


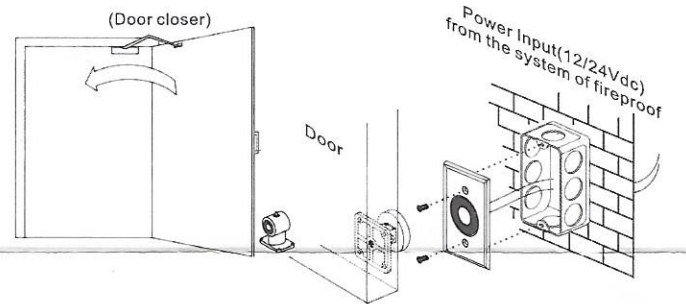
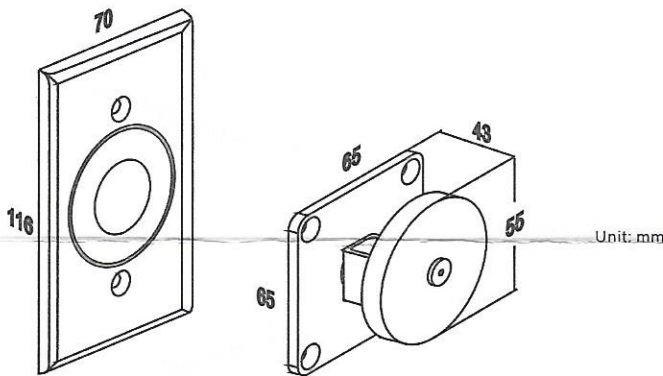
Electromagnetic Door Holder Installation Instruction

Floor Mount

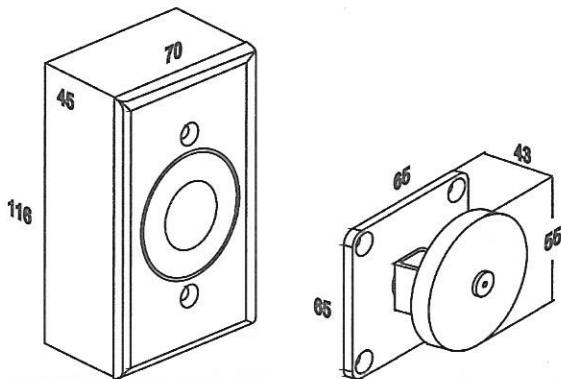


Operating Voltage: 24VAC/DC
(12VAC/DC is available by special order)
Current Draw: 120mA/12VDC
60mA/24VDC
Power off button: Release holding force
Holding Force: 80 lbs
Finish: Black Powder Coated

Flush and Surface Mount

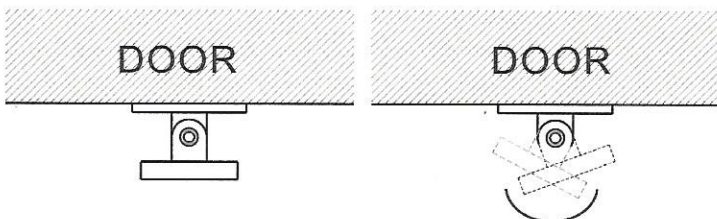


Operating Voltage: 24VAC/DC
(12 VAC/DC is available by special order)
Current Draw: 120mA/12VDC
60mA/24VDC
Holding Force: 80 lbs
Stainless steel faceplate
For ANSI single-gang electric box
(optional)



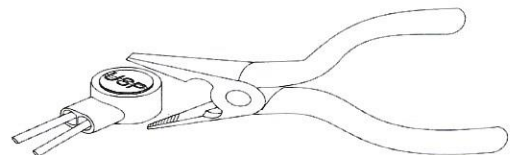
Surface Mount Box
(Optional)

Note



Adjust the direction of armature plate to allow tightly

Butt Splice (IDC) Connector



Using crimpers or pliers and pressing the header of