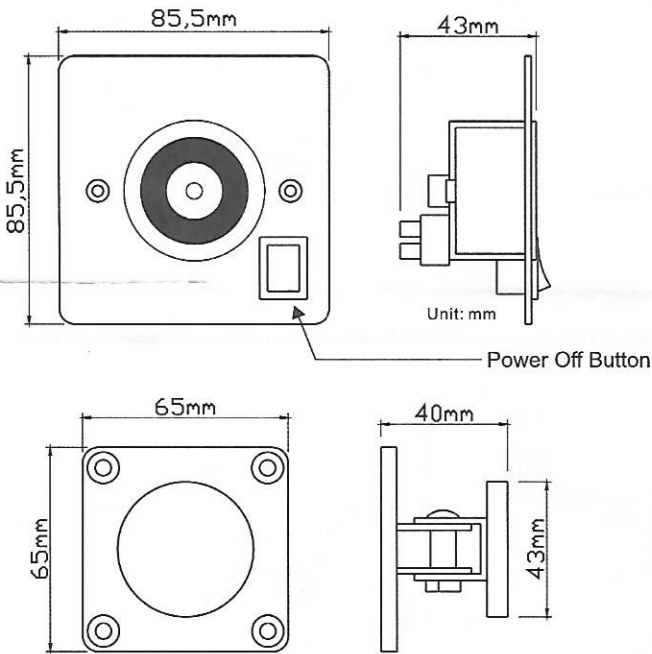
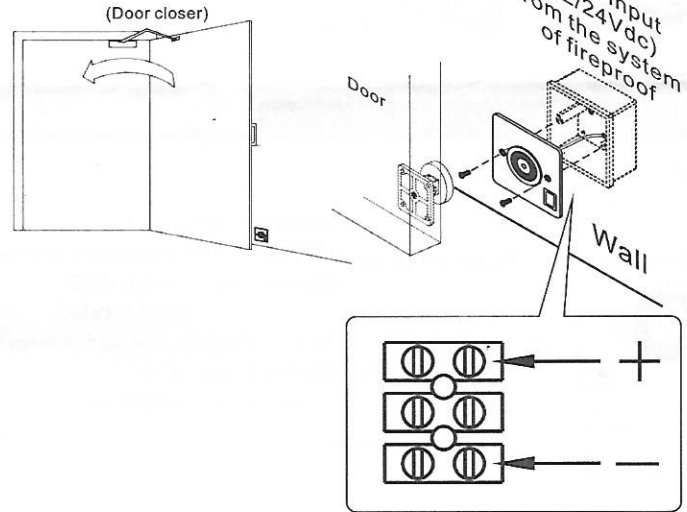


Electromagnetic Door Holder Installation Instruction

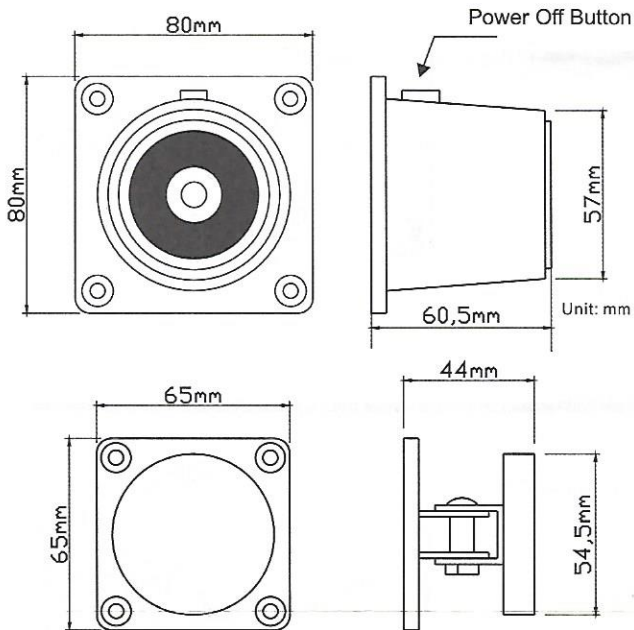
GD650S Floor Mount



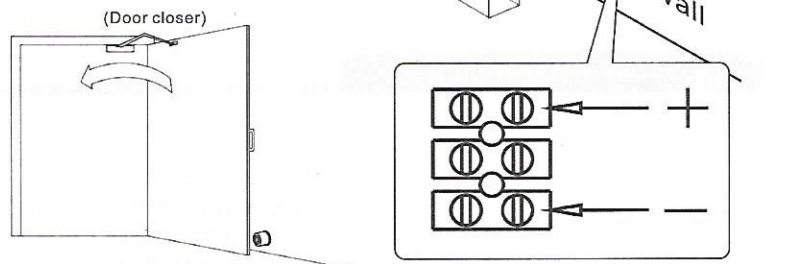
Operating Voltage: 24VDC
 (12VDC is available by special order)
 Current Draw: 150mA/12VDC
 50mA/24VDC
 Power off button: Release holding force
 Holding Force: 70 lbs
 Anti-Residual Magnetism function
 Finish: Black Powder Coated



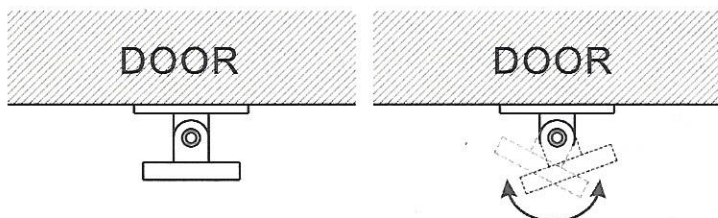
GD870S Wall Surface Mount



Operating Voltage: 24VDC
 (12VDC is available by special order)
 Current Draw: 120mA/12VDC
 60mA/24VDC
 Power off button: Release holding force
 Holding Force: up to 80 lbs.
 Anti-Residual Magnetism function
 Finish: Black Powder Coated

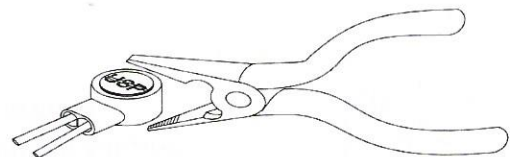


Note



Adjust the direction of armature plate to allow tightly closing status.

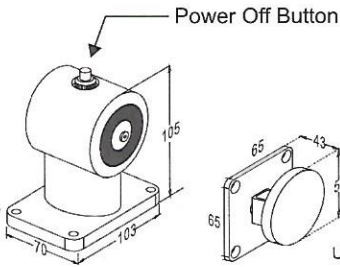
Butt Splice (IDC) Connector



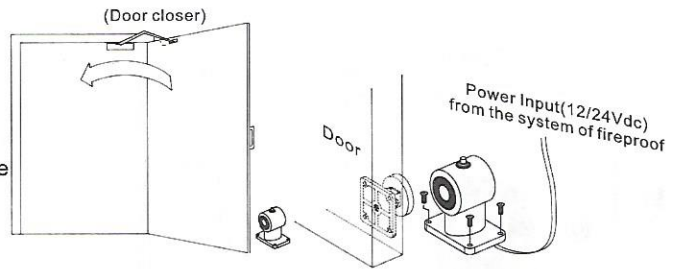
Using crimpers or pliers and pressing the header of connector down to even position.

Electromagnetic Door Holder Installation Instruction

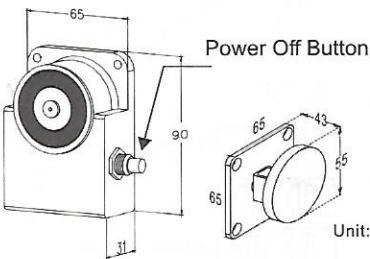
GD830F Floor Mount



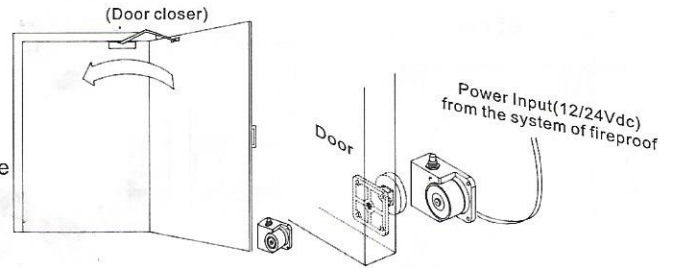
Operating Voltage: 24VDC
(12 VDC is available by special order)
Current Draw: 120mA/12VDC
60mA/24VDC
Power off button: Release holding force
Holding Force: 80 lbs
Finish: Black Powder Coated



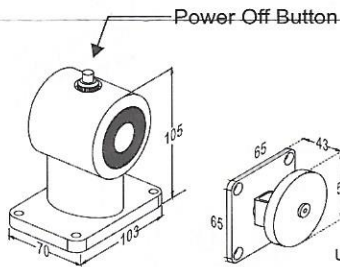
GD830S Wall Surface Mount



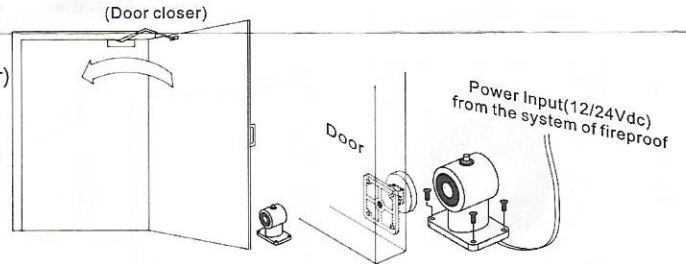
Operating Voltage: 24VDC
(12VDC is available by special order)
Current Draw: 120mA/12VDC
60mA/24VDC
Power off button: Release holding force
Holding Force: 80 lbs
Finish: Black Powder Coated



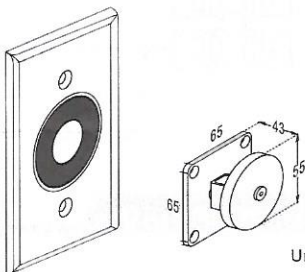
GD900F Floor Mount



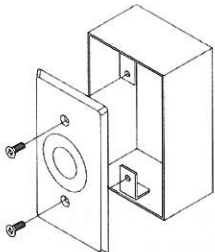
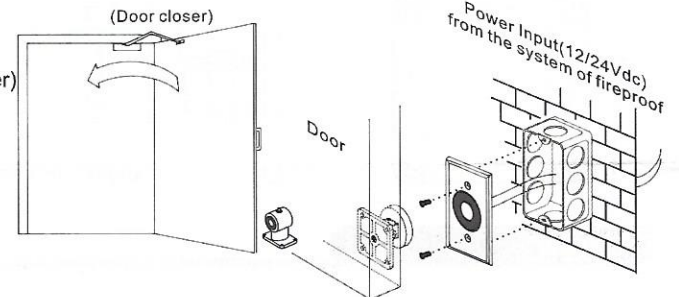
Operating Voltage: 24VAC/DC
(12VAC/DC is available by special order)
Current Draw: 120mA/12VDC
60mA/24VDC
Power off button: Release holding force
Holding Force: 80 lbs
Finish: Black Powder Coated



GD900W Flush Mount



Operating Voltage: 24VAC/DC
(12 VAC/DC is available by special order)
Current Draw: 120mA/12VDC
60mA/24VDC
Holding Force: 80 lbs
Stainless steel faceplate
For ANSI single-gang electric box
(optional)



SMB-050
Surface Mount Box
(Optional)