



**Philadelphia Hardware Group, Inc.**

6590 Top Gun Street  
San Diego, CA 92121  
[www.philihardware.com](http://www.philihardware.com)

Tel  
858.642.0450  
858.545.2309  
Fax  
858.642.0454

# Sliding Door Lock

## SPECIFICATIONS

**Material:** Steel or Stainless Steel

**Door Preparation:** Door Notching: 1-3/4" Depth x 2-1/4" High

**Door Thickness:** Fit 1-3/8" to 1-3/4" standard

**Bolt:** 5/16" hook on Privacy & Bathroom only

**Strike Plate:** 1 x 2-1/4" rectangular

**Handing:** Non-Handed

## FINISH

US3, US5, US10B, US12P, US15, US15A, US26

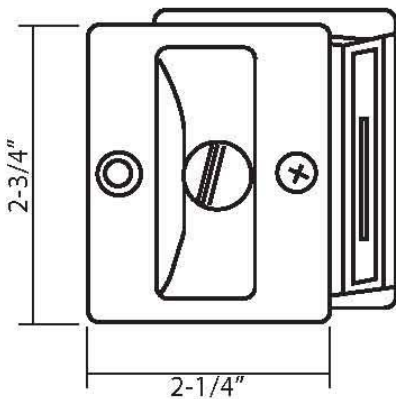
Bathroom (Interior is Polish Chrome)

US3/26, US5/26, US10B/26, US15/26, US15A/26

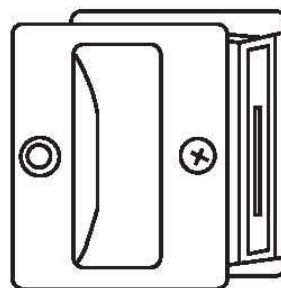


Privacy US15

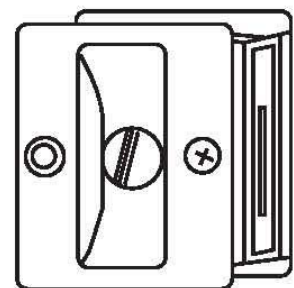
## DIMENSIONS



## FUNCTIONS



Passage



Privacy  
Bathroom

SAN DIEGO

•

CHICAGO

•

ATLANTA



**Philadelphia Hardware Group, Inc.**

6590 Top Gun Street  
San Diego, CA 92121  
[www.philihardware.com](http://www.philihardware.com)

Tel  
858.642.0450  
858.545.2309  
Fax  
858.642.0454

# Pocket Door Lock

## SPECIFICATIONS

**Material:** Steel or Stainless Steel

**Door Preparation:** Fits 2-1/8" Bored hole

**Door Thickness:** Fit 1-3/8" to 1-3/4" standard

**Latch:** 2-3/8" Fixed backset  
Faceplate: 1" x 2-1/4" round corner  
(special order for 2-3/4" backset)

**Strike Plate:** 1 x 2-1/4" rectangular

**Handing:** Non-Handed



Privacy US15

## FUNCTIONS

Passage, Privacy, Bathroom

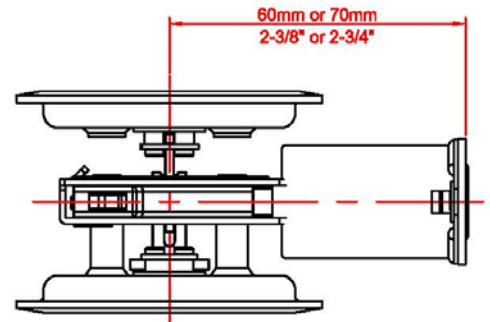
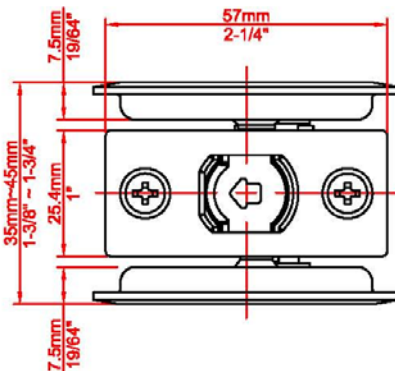
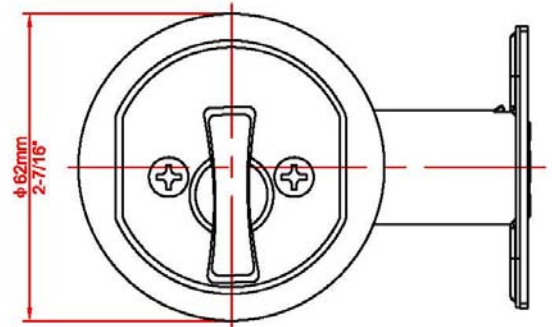
## FINISH

US3, US12P, US15, US26

Bathroom (Interior is Polish Chrome)

US3/26, US15/26, US15A/26

## DIMENSIONS



Not to Scale

SAN DIEGO

CHICAGO

ATLANTA