



**Philadelphia Hardware Group Inc.**

6590 Top Gun Street  
San Diego, CA 92121  
[www.philhardware.com](http://www.philhardware.com)  
Tel  
858.642.0450  
858.545.2309  
Fax  
858.642.0454

# Paper Holder

# PORTMAN

## SPECIFICATIONS

- Material: Zinc die-cast Posts
- Concealed surface mounting application
- Dia. 3/4" x 6" roller with spring tension
- Finish: US26 Polished Chrome  
US15 Satin Nickel  
US12P Tuscany Bronze



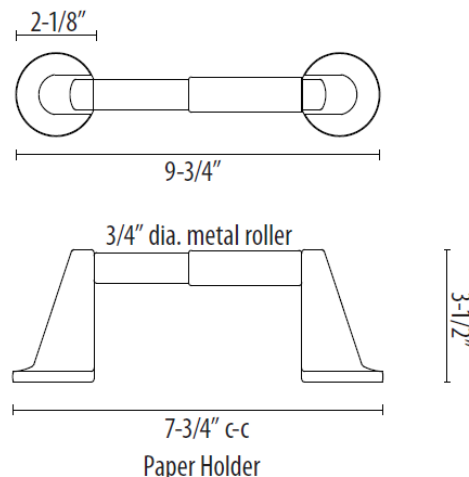
Paper Holder US15

## PARTS

- Steel mounting plate x 2
- Plastic anchors x 4
- #8 x 1-1/4" steel Phillips head screws x 4

## DIMENSIONS

- Projection: 3-1/2" from the mounting surface
- Overall Size: 2-1/8" x 9-3/4"



SAN DIEGO

CHICAGO

ATLANTA

DALLAS



**Philadelphia Hardware Group Inc.**

6590 Top Gun Street  
San Diego, CA 92121  
[www.philihardware.com](http://www.philihardware.com)  
Tel  
858.642.0450  
858.545.2309  
Fax  
858.642.0454

## Euro Paper Holder

**PORTMAN**

### SPECIFICATIONS

- Material: Zinc die-cast Posts
- Concealed surface mounting application
- Color plated steel hook.
- Finish: US26 Polished Chrome  
US15 Satin Nickel  
US12P Tuscany Bronze



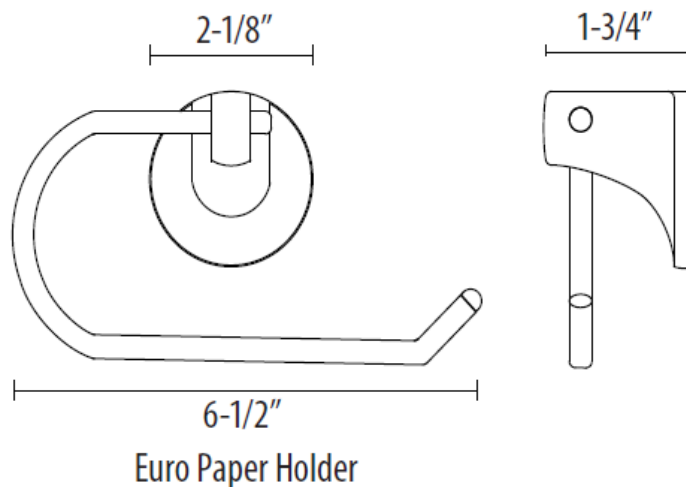
Euro Paper Holder US15

### PARTS

- Steel mounting plate x 1
- Plastic anchors x 2
- #8 x 1-1/4" steel Phillips head screws x 2

### DIMENSIONS

- Projection: 1-3/4" from the mounting surface



**SAN DIEGO**

•

**CHICAGO**

•

**ATLANTA**

•

**DALLAS**



**Philadelphia Hardware Group Inc.**

6590 Top Gun Street  
San Diego, CA 92121  
[www.philihardware.com](http://www.philihardware.com)  
Tel  
858.642.0450  
858.545.2309  
Fax  
858.642.0454

## Robe Hook

**PORTMAN**

### SPECIFICATIONS

- Material: Zinc die-cast
- Concealed surface mounting application
- Finish: US26 Polished Chrome  
US15 Satin Nickel  
US12P Tuscany Bronze



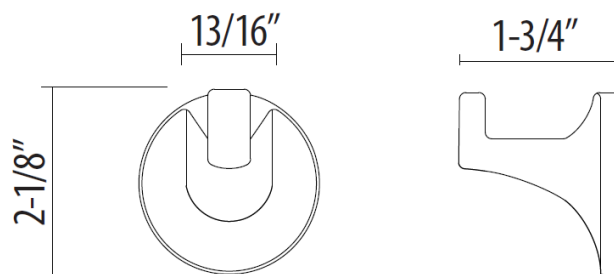
Double Robe Hook US15

### PARTS

- Steel mounting plate x 1
- Plastic anchors x 2
- #8 x 1-1/4" steel Phillips head screws x 2

### DIMENSIONS

- Projection: 1-3/4" from the mounting Surface



Robe Hook

SAN DIEGO

CHICAGO

ATLANTA

DALLAS



**Philadelphia Hardware Group Inc.**

6590 Top Gun Street  
San Diego, CA 92121  
[www.philihardware.com](http://www.philihardware.com)  
Tel  
858.642.0450  
858.545.2309  
Fax  
858.642.0454

# Towel Ring

# PORTMAN

## SPECIFICATIONS

- Material: Zinc die-cast Post
- Concealed surface mounting application
- Ring: Dia. 6-3/8" x  $\varnothing$  3/8" metal tubing
- Finish: US26 Polished Chrome  
US15 Satin Nickel  
US12P Tuscany Bronze



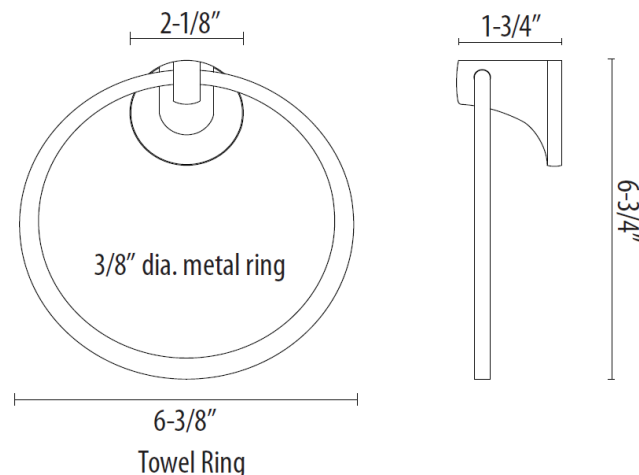
Towel Ring US15

## PARTS

- Steel mounting plate x 1
- Plastic anchors x 2
- #8 x 1-1/4" steel Phillips head screws x 2

## DIMENSIONS

- Projection: 1-3/4" from the Mounting Surface
- Overall Size: 6-3/8" x 6-3/4"



SAN DIEGO

CHICAGO

ATLANTA

DALLAS



**Philadelphia Hardware Group Inc.**

6590 Top Gun Street  
San Diego, CA 92121  
[www.philihardware.com](http://www.philihardware.com)  
Tel  
858.642.0450  
858.545.2309  
Fax  
858.642.0454

# Towel Bar Set

# PORTMAN

## SPECIFICATIONS

- Material: Zinc die-cast Posts
- $\varnothing 3/4"$  Stainless Steel bar  
Length: 18", 24", and 30"
- Concealed surface mounting application
- Finish: US26 Polished Chrome  
US15 Satin Nickel  
US12P Tuscany Bronze



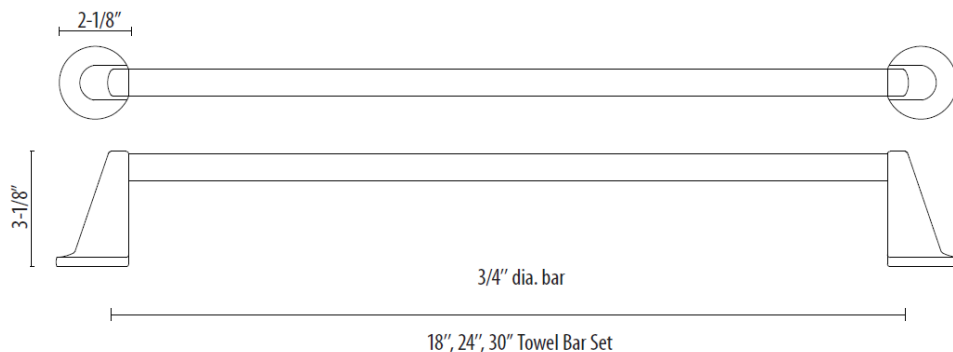
Towel Bar Set US15

## PACKAGING

- Steel mounting plate x 2
- Plastic Anchors x 4
- #8 x 1-1/4" steel Phillips head screws x 4

## DIMENSIONS

- Projection: 3-1/8" from the Mounting Surface
- Overall Size: 18" Towel Bar – W: 2-1/8" x L: 20-1/8", 18" center to center  
24" Towel Bar – W: 2-1/8" x L: 26-1/8", 24" center to center  
30" Towel Bar – W: 2-1/8" x L: 32-1/8", 30" center to center



**SAN DIEGO**

**CHICAGO**

**ATLANTA**

**DALLAS**