



Philadelphia Hardware Group, Inc.

6590 Top Gun Street
San Diego, CA 92121
www.philihardware.com
Tel
858.642.0450
858.545.2309
Fax
858.642.0454

Paper Holder

CHELSEA SERIES

SPECIFICATIONS

- Material: Zinc die-cast Posts
- Concealed surface mounting application
- Dia. 7/8" x 6" plastic roller with spring tension
Chrome plated ABS roller available
- Finish: US3 Polished Brass
US26 Polished Chrome
US15 Satin Nickel



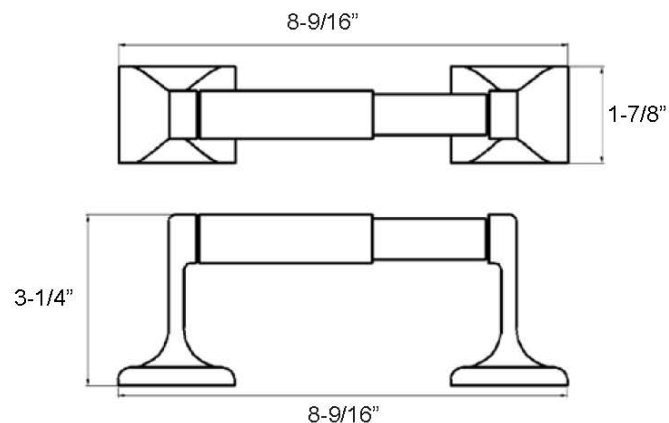
Paper Holder
US26

PARTS

- Steel mounting plate x 2
- Plastic anchors x 4
- #8 x 1-1/4" steel Phillips head screws x 4

DIMENSIONS

- Projection: 3-1/4" from the mounting surface
- Overall Size: 1-7/8" x 8-9/16"



SAN DIEGO

CHICAGO

SEATTLE



Philadelphia Hardware Group, Inc.

6590 Top Gun Street
San Diego, CA 92121
www.philihardware.com
Tel
858.642.0450
858.545.2309
Fax
858.642.0454

Recessed Paper Holder

CHELSEA SERIES

SPECIFICATIONS

- Material: Zinc die-cast Body
- Countersunk mounting application
- Dia. 7/8" x 6" Plastic roller with spring tension
Chrome plated ABS roller available
- Finish: US3 Polished Brass
US26 Polished Chrome
US15 Satin Nickel

PARTS

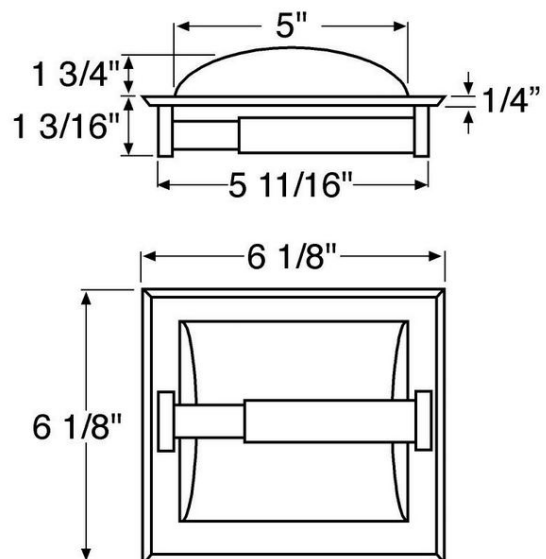
- Plastic anchors x 2
- #10 x 2" steel Phillips head screws x 2

DIMENSIONS

- Projection: 1-3/16" from the mounting surface
- Recessed Depth: 1-3/4"
- Overall Size: 6-1/8" x 6-1/8"



Recessed Paper Holder
US26



SAN DIEGO

CHICAGO

SEATTLE



Philadelphia Hardware Group, Inc.

6590 Top Gun Street
San Diego, CA 92121
www.philihardware.com
Tel
858.642.0450
858.545.2309
Fax
858.642.0454

Double Robe Hook

CHELSEA SERIES

SPECIFICATIONS

- Material: Zinc die-cast
- Concealed surface mounting application
- Finish: US3 Polished Brass
US26 Polished Chrome
US15 Satin Nickel



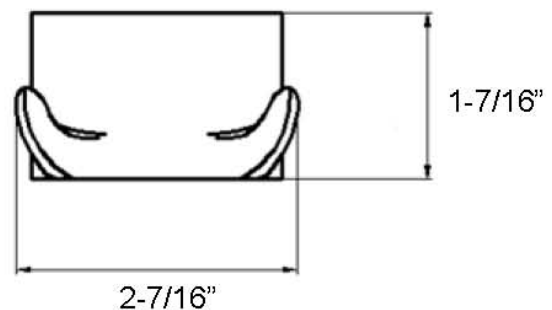
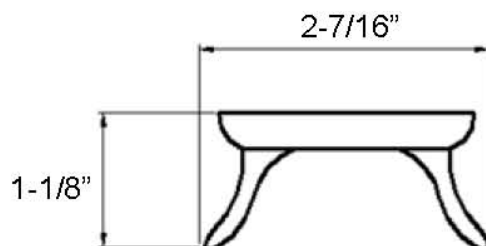
Double Robe Hook
US3

PARTS

- Steel mounting plate x 1
- Plastic anchors x 2
- #8 x 1-1/4" steel Phillips head screws x 2

DIMENSIONS

- Projection: 1-1/8" from the mounting Surface
- Overall Size: 1-7/16" x 2-7/16"



SAN DIEGO

CHICAGO

SEATTLE



Philadelphia Hardware Group, Inc.

6590 Top Gun Street
San Diego, CA 92121
www.philihardware.com
Tel
858.642.0450
858.545.2309
Fax
858.642.0454

Towel Ring

CHELSEA SERIES

SPECIFICATIONS

- Material: Zinc die-cast Post
- Concealed surface mounting application
- Ring: Dia. 6" x \varnothing 3/8" metal tubing
- Finish: US3 Polished Brass
US26 Polished Chrome
US15 Satin Nickel

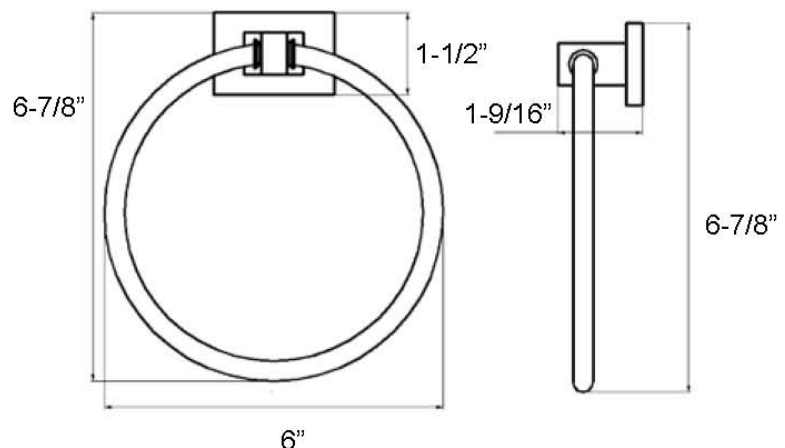
PARTS

- Steel mounting plate x 1
- Plastic anchors x 2
- #8 x 1-1/4" steel Phillips head screws x 2



DIMENSIONS

- Projection: 1-9/16" from the Mounting Surface
- Overall Size: 6-7/8" x 6"



SAN DIEGO

•

CHICAGO

•

SEATTLE



Philadelphia Hardware Group, Inc.

6590 Top Gun Street
San Diego, CA 92121
www.philihardware.com
Tel
858.642.0450
858.545.2309
Fax
858.642.0454

Soap Holder

CHELSEA SERIES

SPECIFICATIONS

- Material: Zinc die-cast
- Concealed surface mounting application
- Finish: US3 Polished Brass
US26 Polished Chrome
US15 Satin Nickel

PARTS

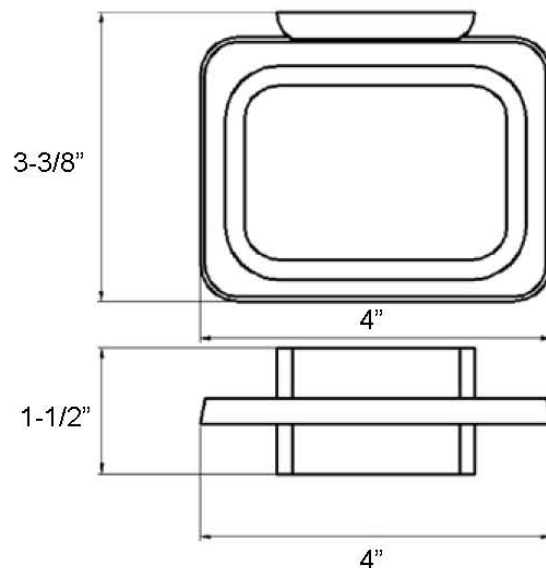
- Steel mounting plate x 1
- Plastic anchors x 2
- #8 x 1-1/4" steel Phillips head screws x 2



Soap Holder
US15

DIMENSIONS

- Projection: 3-3/8" from the mounting surface
- Overall Size: 1-1/2" x 4"



SAN DIEGO

•

CHICAGO

•

SEATTLE



Philadelphia Hardware Group, Inc.

6590 Top Gun Street
San Diego, CA 92121
www.philihardware.com
Tel
858.642.0450
858.545.2309
Fax
858.642.0454

Tooth Brush Holder

CHELSEA SERIES

SPECIFICATIONS

- Material: Zinc Die-cast
- Concealed surface mounting application
- Finish: US3 Polished Brass
US26 Polished Chrome
US15 Satin Nickel

PARTS

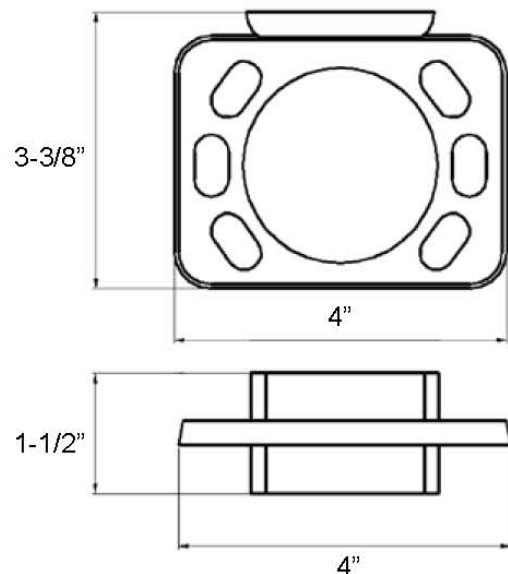
- Steel mounting plate x 1
- Plastic anchors x 2
- #8 x 1-1/4" steel Phillips head screws x 2



Tooth Brush Holder
US15

DIMENSIONS

- Projection: 3-3/8" from the Mounting Surface
- Overall Size: 1-1/2" x 4"



SAN DIEGO

•

CHICAGO

•

SEATTLE



Philadelphia Hardware Group, Inc.

6590 Top Gun Street
San Diego, CA 92121
www.philihardware.com
Tel
858.642.0450
858.545.2309
Fax
858.642.0454

Towel Bar Set

CHELSEA SERIES

SPECIFICATIONS

- Material: Zinc die-cast Posts
- $\varnothing 3/4"$ Square aluminum bar
Length: 18", 24", and 30"
- Concealed surface mounting application
- Finish: US3 Polished Brass
US26 Polished Chrome
US15 Satin Nickel

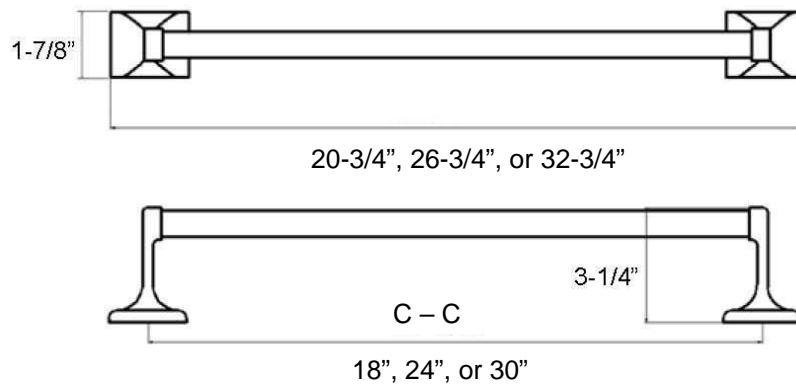


PACKAGING

- Steel mounting plate x 2
- Plastic Anchors x 4
- #8 x 1-1/4" steel Phillips head screws x 4

DIMENSIONS

- Projection: 3-1/4" from the Mounting Surface
- Overall Size: 18" Towel Bar – W: 1-7/8" x L: 20-3/4", 18" center to center
24" Towel Bar – W: 1-7/8" x L: 26-3/4", 24" center to center
30" Towel Bar – W: 1-7/8" x L: 32-3/4", 30" center to center



SAN DIEGO

•

CHICAGO

•

SEATTLE