



Philadelphia Hardware Group Inc.

6590 Top Gun Street
San Diego, CA 92121
www.philihardware.com

Tel

858.642.0450

858.545.2309

Fax

858.642.0454

Paper Holder

AUSTIN

SPECIFICATIONS

- Material: Zinc die-cast Posts
- Concealed surface mounting application
- Dia. 7/8" x 6" Color plated roller with spring tension
- Finish: US26 Polished Chrome
US15 Satin Nickel



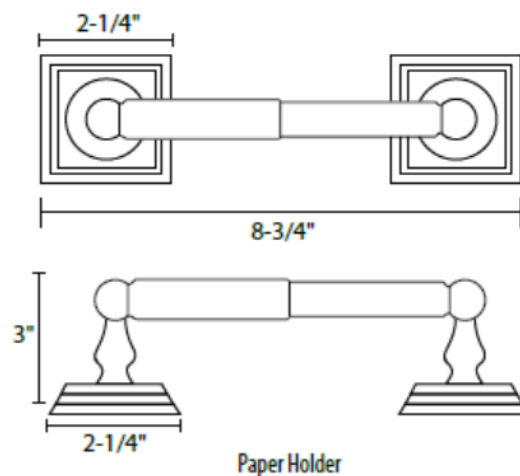
Paper Holder US26

PARTS

- Steel mounting plate x 2
- Plastic anchors x 4
- #8 x 1-1/4" steel Phillips head screws x 4

DIMENSIONS

- Projection: 3" from the mounting surface
- Overall Size: 2-1/8" x 8-11/16"



SAN DIEGO

CHICAGO

ATLANTA



Philadelphia Hardware Group Inc.

6590 Top Gun Street
San Diego, CA 92121
www.philihardware.com

Tel

858.642.0450

858.545.2309

Fax

858.642.0454

Paper Holder

AUSTIN

SPECIFICATIONS

- Material: Zinc die-cast Posts
- Concealed surface mounting application
- Color plated steel hook.
- Finish: US26 Polished Chrome
US15 Satin Nickel

PARTS

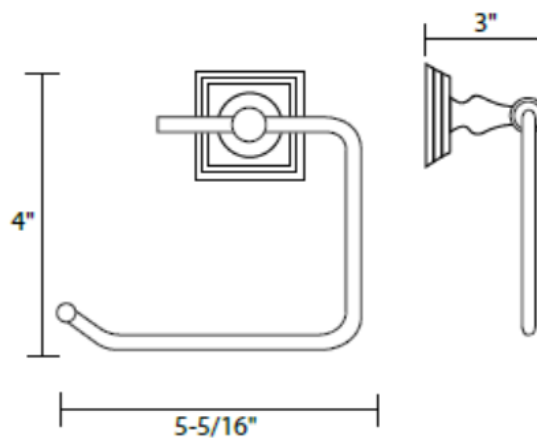
- Steel mounting plate x 1
- Plastic anchors x 2
- #8 x 1-1/4" steel Phillips head screws x 2



Euro Paper Holder US26

DIMENSIONS

- Projection: 3" from the mounting surface
- Overall Size: 5-5/16" x 4"



SAN DIEGO

CHICAGO

ATLANTA



Philadelphia Hardware Group Inc.

6590 Top Gun Street
San Diego, CA 92121
www.philihardware.com

Tel

858.642.0450

858.545.2309

Fax

858.642.0454

Double Robe Hook

AUSTIN

SPECIFICATIONS

- Material: Zinc die-cast
- Concealed surface mounting application
- Finish: US26 Polished Chrome
US15 Satin Nickel

PARTS

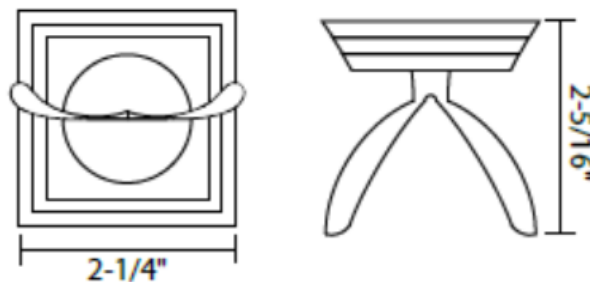
- Steel mounting plate x 1
- Plastic anchors x 2
- #8 x 1-1/4" steel Phillips head screws x 2



Double Robe Hook US26

DIMENSIONS

- Projection: 2-5/16" from the mounting Surface
- Overall Size: 2-1/4" x 2-1/4"



SAN DIEGO

CHICAGO

ATLANTA



Philadelphia Hardware Group Inc.

6590 Top Gun Street
San Diego, CA 92121
www.philihardware.com

Tel

858.642.0450

858.545.2309

Fax

858.642.0454

Towel Ring

AUSTIN

SPECIFICATIONS

- Material: Zinc die-cast Post
- Concealed surface mounting application
- Ring: Dia. 6-1/4" x \varnothing 3/8" metal tubing
- Finish: US26 Polished Chrome
US15 Satin Nickel

PARTS

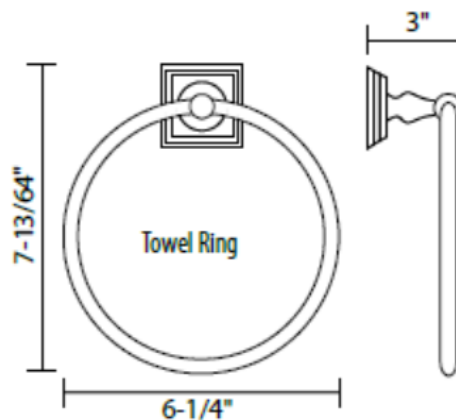
- Steel mounting plate x 1
- Plastic anchors x 2
- #8 x 1-1/4" steel Phillips head screws x 2



Towel Ring US26

DIMENSIONS

- Projection: 3" from the Mounting Surface
- Overall Size: 6-1/4" x 7-13/64"



SAN DIEGO

CHICAGO

ATLANTA



Philadelphia Hardware Group Inc.

6590 Top Gun Street
San Diego, CA 92121
www.philihardware.com

Tel
858.642.0450
858.545.2309
Fax
858.642.0454

Towel Bar Set

AUSTIN

SPECIFICATIONS

- Material: Zinc die-cast Posts
- $\varnothing 5/8$ " Stainless Steel bar
Length: 18", 24", and 30"
- Concealed surface mounting application
- Finish: US26 Polished Chrome
US15 Satin Nickel



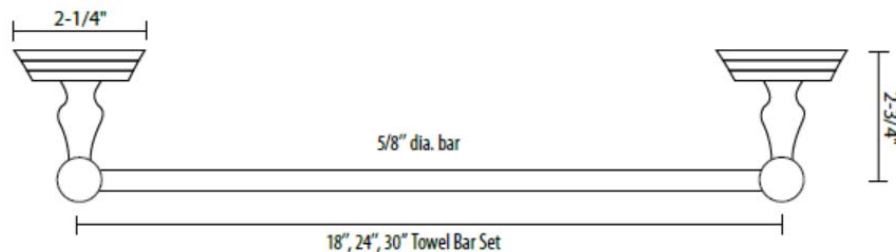
Towel Bar US26

PACKAGING

- Steel mounting plate x 2
- Plastic Anchors x 4
- #8 x 1-1/4" steel Phillips head screws x 4

DIMENSIONS

- Projection: 2-3/4" from the Mounting Surface
- Overall Size: 18" Towel Bar – W: 2-1/8" x L: 20-3/4", 18" center to center
24" Towel Bar – W: 2-1/8" x L: 26-3/4", 24" center to center
30" Towel Bar – W: 1-7/8" x L: 32-3/4", 30" center to center



SAN DIEGO

CHICAGO

ATLANTA