

EZ-SET Specifications

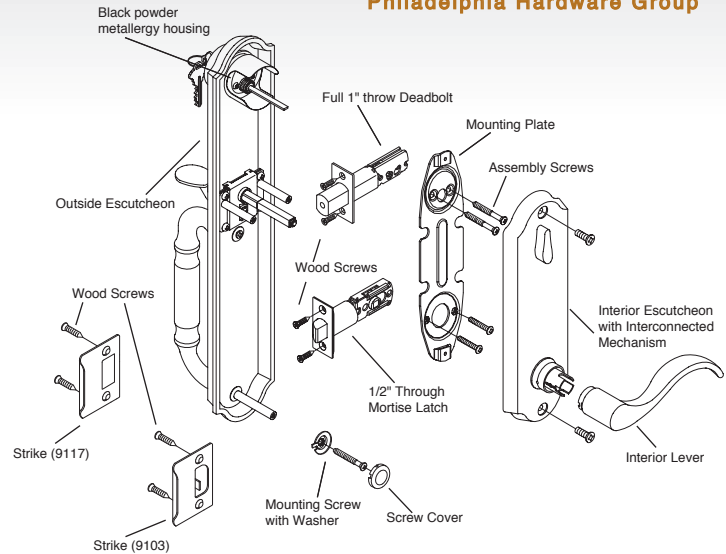


Philadelphia Hardware Group

400 Series Interconnected Handleset Meets ANSI Grade 3 Standards

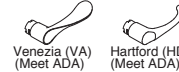
STANDARD SPECIFICATIONS

Door Prep	Deadbolt cross bore: 2-1/8". Handleset cross bore: 2-1/8". Edge bore: 1", Latch face" 1" x 2-1/4". Mounting (center to center): 5-1/2".
Backset	2-3/8" and 2-3/4" adjustable.
Door Thickness	1-5/8" ~ 2" door standard.
Cylinder	SC1 6-pin standard with black powder metallurgy cylinder housing.
Latch	Deadbolt: Adjustable latch 2-3/8" and 2-3/4". (9092) Faceplate: 1" x 2-1/4" round corner. Bolt: Brass with hardened steel rod, full 1" throw. Handle: Adjustable 2-3/8" and 2-3/4" latch. (9079R) Faceplate: 1" x 2-1/4" round corner. Bolt: Solid brass 1/2" throw.
Strikes	Deadbolt: Full lip 2-1/4" round corner. (9117) Handle: Full lip 2-1/4" round corner. (9103)
Door Handing	Reversible for right or left handed doors. Specify handing when ordering lever as interior design.



Optional for Interior Designs

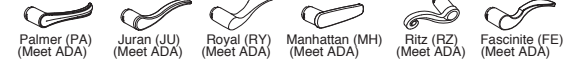
Solid Brass Levers



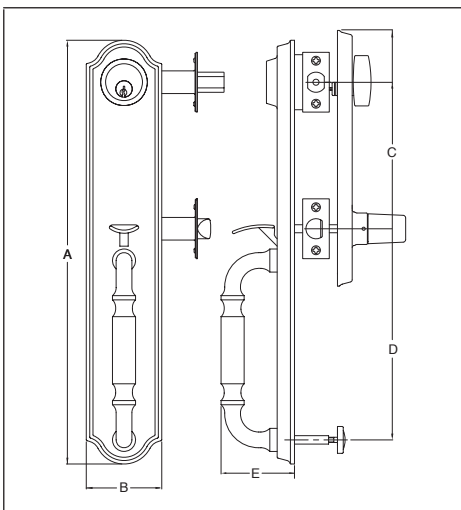
Knob Designs



Lever Designs



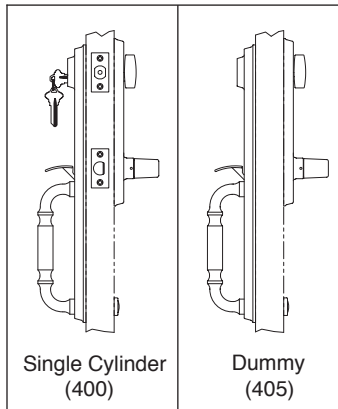
DIMENSIONS



DESIGN

	Chateau	Hampton	Richmond
A	15-29/32"	15-53/64"	16-47/64"
B	2-53/64"	2-53/64"	3-7/64"
C	5-1/2"	5-1/2"	5-1/2"
D	7-59/64"	7-59/64"	7-59/64"
E	2-3/4"	2-43/64"	2-13/32"

FUNCTIONS



OPTIONS

DESCRIPTION	NOTE
Split Finishes	Available upon request.
Keying	Keying as requested.
Door Thickness	Available for 1-3/8" and 2-1/4" thick door.
Cylinder	KW1 5-pin, SC1 5-pin.
Latches	Deadbolt: Square corner (9091), Drive-in. (9093) Handle: Square (9079), Drive-in. (9079C)
Strikes	Deadbolt: 1" x 2-3/4" square corner. (9111) 1 x 2-1/4" round corner. (9113) Handle: "T" type 1-1/8" x 2-3/4". (9101)
UL Latch	Available.

AVAILABLE FINISHES

ABBREVIATION	DESCRIPTION
PVD	Brass, Lifetime
US26	Bright Chrome
US10B	Oil Rubbed Bronze
US12P	Tuscany Bronze
US15A	Antique Nickel
US15	Satin Nickel

AVAILABLE DESIGNS

ABBREVIATION	ITEM NAME
CH	Chateau
HA	Hampton
RI	Richmond

