



Philadelphia Hardware Group – [www.philihardware.com](http://www.philihardware.com)  
 6590 Top Gun St., San Diego, CA. 92121 Tel: 800-545-2309 Fax: 800-828-0988

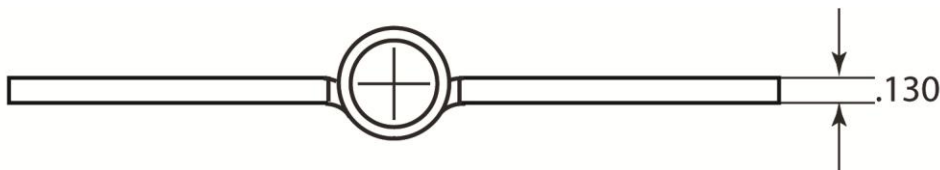
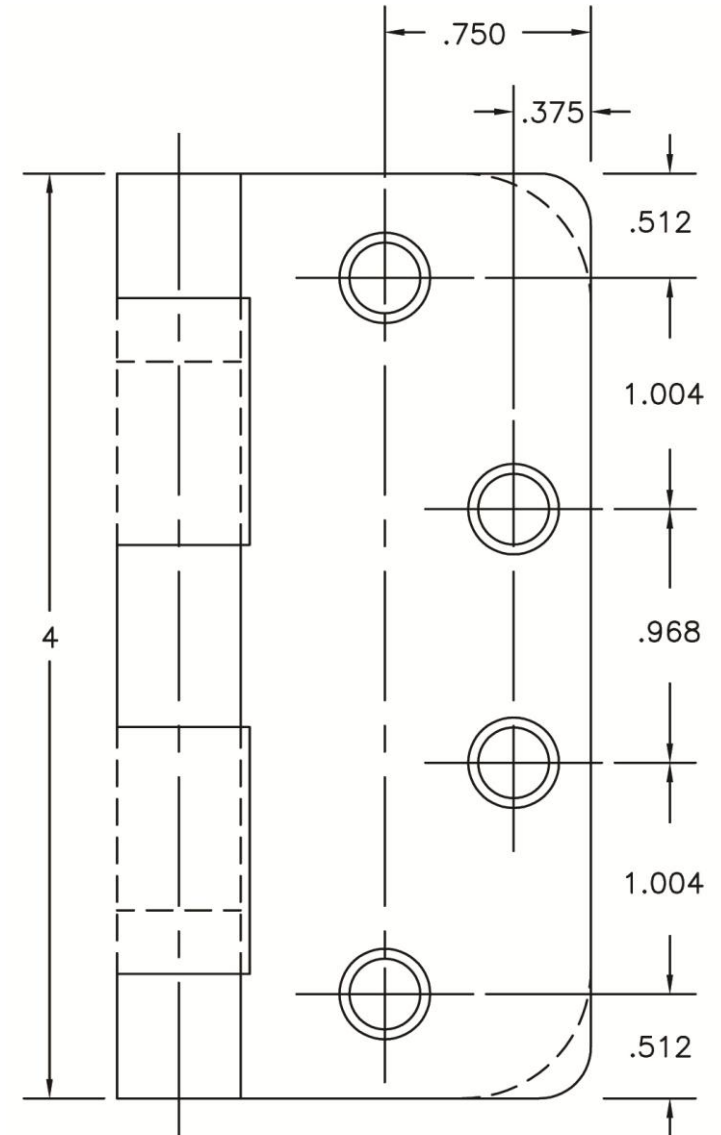
Revision Date: Dec. 2014  
 Drawing is not to scale.

**Template – Advantage Hinge (ANSI A156.7)**

All Dimensions are in inches.

4" x 1/4R Commercial Hinge – PB – CH402  
 4" x 1/4R Commercial Hinge – BB – CH411

Finish	PB	PB – NRP	BB	BB - NRP
USP	CH4021	CN4021	CH4111	CN4111
US4	CH4024	CN4024	CH4114	CN4114
US26D	CH4026	CN4026	CH4116	CN4116
US3	CH4023	CN4023	CH4113	CN4113
US26	CH4027	CN4027	CH4117	CN4117
US15	-	-	CH4119	CN4119
US15A	-	-	CH4118	CN4118
US10B	CH4022	CN4022	CH4112	CN4112
US32D	-	-	CH4132	CN4132



SAN DIEGO

CHICAGO

ATLANTA





Philadelphia Hardware Group – [www.philihardware.com](http://www.philihardware.com)  
 6590 Top Gun St., San Diego, CA. 92121 Tel: 800-545-2309 Fax: 800-828-0988

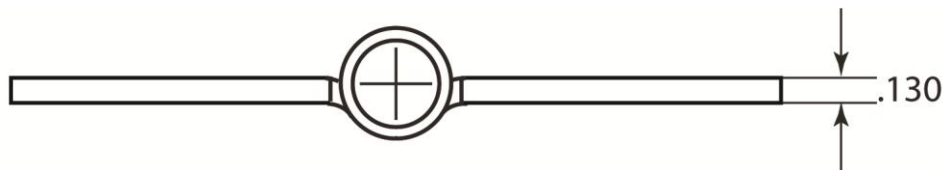
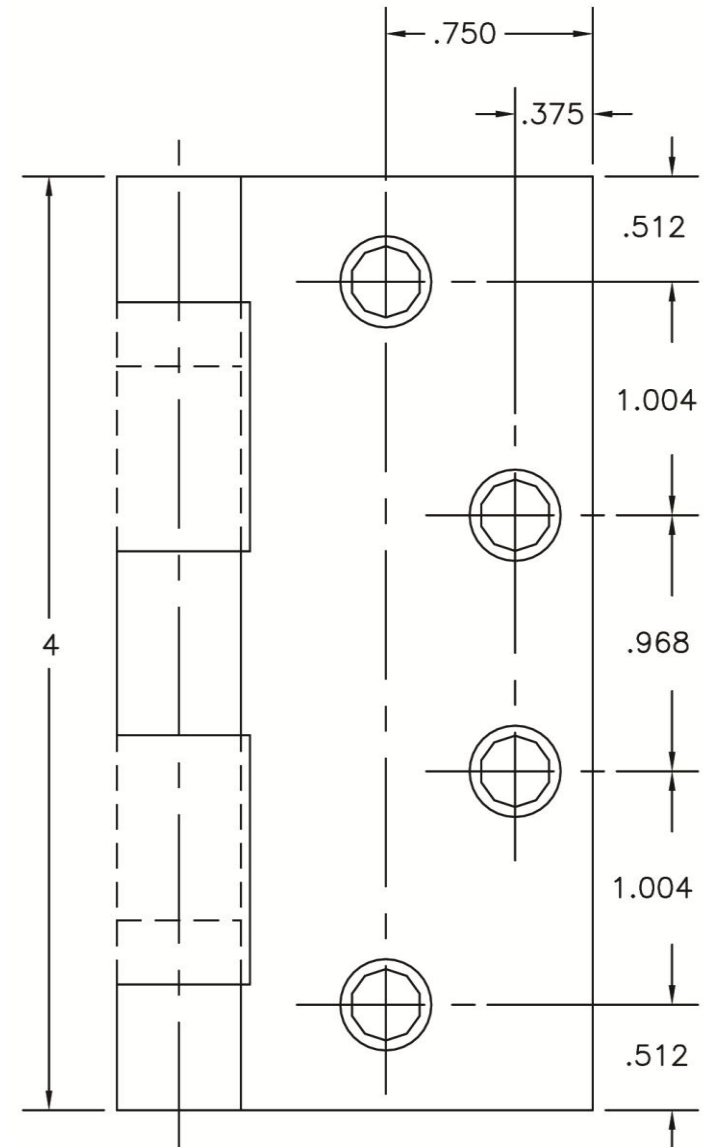
Revision Date: Dec. 2014  
 Drawing is not to scale.

**Template – Advantage Hinge (ANSI A156.7)**

All Dimensions are in inches.

4" x SQ. Commercial Hinge – PB – CH400  
 4" x SQ. Commercial Hinge – BB – CH401

Finish	PB	PB – NRP	BB	BB - NRP
USP	CH4001	CN4001	CH4011	CN4011
US4	CH4004	CN4004	CH4014	CN4014
US26D	CH4006	CN4006	CH4016	CN4016
US3	CH4003	CN4003	CH4013	CN4013
US26	CH4007	CN4007	CH4017	CN4017
US15	-	-	CH4019	CN4019
US15A	-	-	CH4018	CN4018
US10B	CH4002	CN4002	CH4012	CN4012
US32D	144209	144259	144019	144069



SAN DIEGO

CHICAGO

ATLANTA



**Philadelphia Hardware Group** – [www.philihardware.com](http://www.philihardware.com)  
 6590 Top Gun St., San Diego, CA. 92121 Tel: 800-545-2309 Fax: 800-828-0988

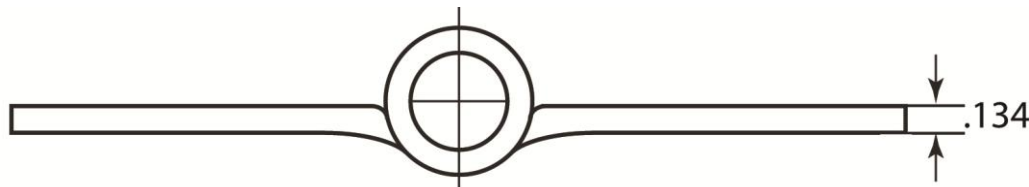
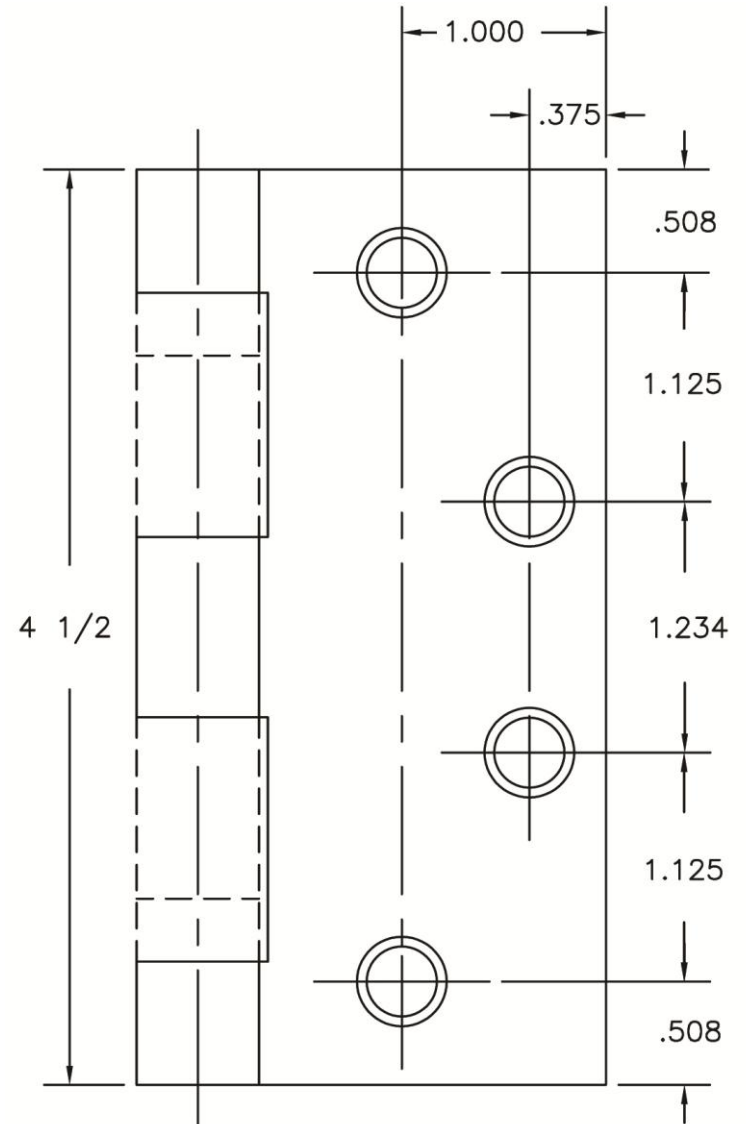
**Revision Date: Dec. 2014**  
**Drawing is not to scale.**

**Template – Advantage Hinge (ANSI A156.7)**

All Dimensions are in inches.

4.5" x SQ. Commercial Hinge – PB – CH450  
 4.5" x SQ. Commercial Hinge – BB – CH451

Finish	PB	PB – NRP	BB	BB - NRP
USP	CH4501	CN4501	CH4511	CN4511
US4	CH4504	CN4504	CH4514	CN4514
US26D	CH4506	CN4506	CH4516	CN4516
US3	CH4503	CN4503	CH4513	CN4513
US26	CH4507	CN4507	CH4517	CN4517
US15	-	-	CH4519	CN4519
US15A	-	-	CH4518	CN4518
US10B	CH4502	CN4502	CH4512	CN4512
US32D	145058	145558	146058	146558



**SAN DIEGO**

**CHICAGO**

**ATLANTA**