



Philadelphia Hardware Group, Inc.

6590 Top Gun Street
San Diego, CA 92121
www.philihardware.com

Tel

858.642.0450

858.545.2309

Fax

858.642.0454

Hinge Pin Door Stop "K" Type

SPECIFICATIONS

- Material: Zinc Die-cast
Complete with Rubber Stop and Plastic Spacer
- Projection: 2" from 5/16" Diameter Hinge Pin
- 1-5/8" Adjustable Rubber Head Screw
- Overall Size: 2" x 1-7/16"

FINISH

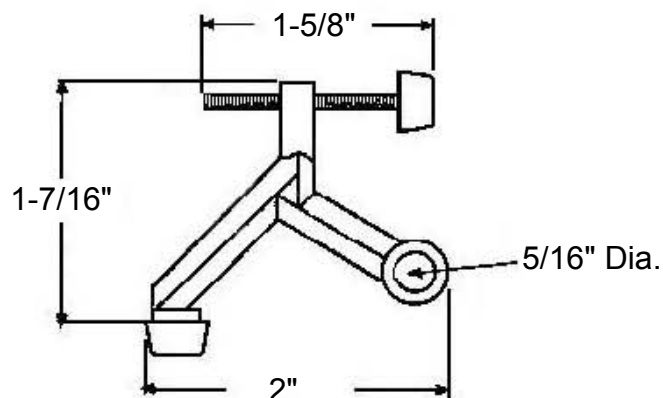
- US3, US5, US26, US26D
US15A, US15, US10B



PACKAGING

- 1pc/plastic bag
- 150pcs/box

DIMENSIONS



Not to Scale

SAN DIEGO

•

CHICAGO

•

SEATTLE