



Philadelphia Hardware Group, Inc.

6590 Top Gun Street
San Diego, CA 92121
www.philihardware.com

Tel
858.642.0450
858.545.2309
Fax
858.642.0454

FPD-218/FPN-218 FINGER PULL

FEATURES

- Material: Steel construction
- Fits 2-1/8 inch dia. Hole
- Mounting: FPN-218 Drive-in.
FPD-218 held in place by 2 set nails.
- Comply with ANSI A156.14
Ideal for Sliding door application.



FPD-218
Drive-in Type

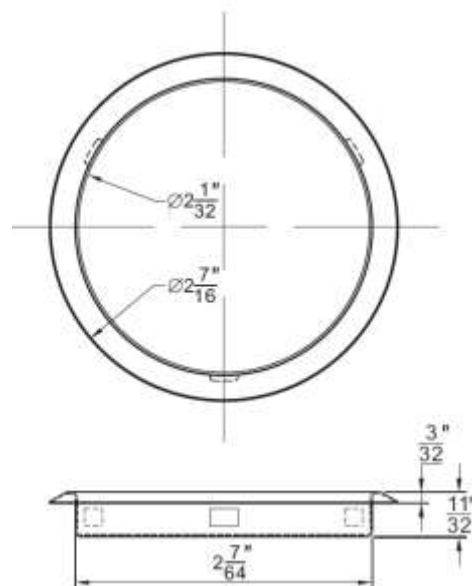
FINISH

- US3
- US5
- US26
- US26D
- US15A
- US15
- US10B
- US12P



FPD-218
Nail Type

DIMENSIONS



Not to Scale

SAN DIEGO

CHICAGO

ATLANTA

DALLAS