



Philadelphia Hardware Group, Inc.

6590 Top Gun Street
San Diego, CA 92121
www.philihardware.com
Tel
858.642.0450
858.545.2309
Fax
858.642.0454

DDH-28 4" Kick-Down Door Stop

FEATURES

- Provides simple hold and release with a touch of the foot.
- Apply on Door-to-floor clearances of 2" or less.
- Meets ANSI A156.16 for L01381

SPECIFICATIONS

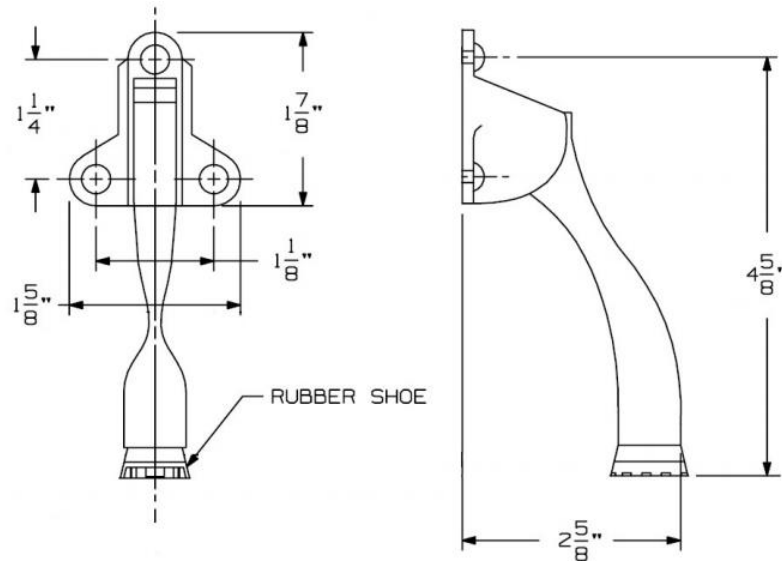
- Material: Zinc construction with rubber tip.
- Surface Mount Application.
- Furnished with Mounting Screws.

FINISH

- US3
- US26D



DIMENSIONS



Not to Scale