

# IL Series

## INTERCONNECTED LEVERSET

ANSI GRADE 2

LIFETIME Warranty

**ANSI GRADE 2**  
ANSI/BHMA A156.12-2005  
Series 5000, Grade 2  
Exceeds 400,000 Cycles



LISTED

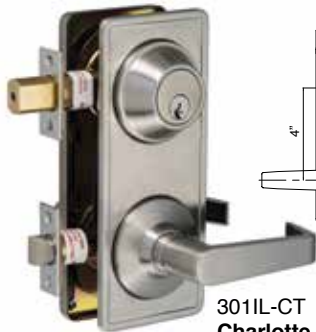
3 Hours Fire Rating  
UL10C/UBC 7-2(1997)  
Positive Pressure Rated



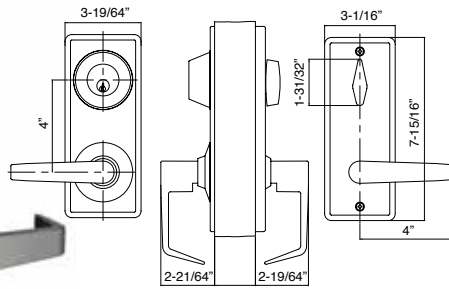
ADA Compliant  
ANSI A117.1  
Barrier Free  
Accessibility

**CALIFORNIA STATE  
REFERENCE CODE**

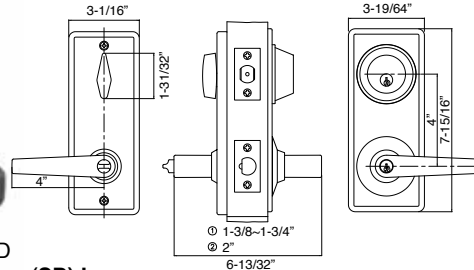
Formerly Title 19,  
California State Fire Marshal (CSFM)  
levers return to within 1/2" of door face  
(CT & SD Lever Only)



301IL-CT  
Charlotte (CT) Lever



300IL-SD  
San Diego (SD) Lever



### Specifications

Door Fitting	1-3/8" ~ 1-3/4" door thick. 2" available. 4" center of deadbolt to center of lock chassis.
Exposed Trim	Wrought brass or stainless steel. Pressure cast zinc lever.
Lock Chassis	Heavy gauge dichromated steel with black powder metallurgy cylinder housing.
Cylinder	Solid brass SC4 6-pins standard. KW1 5-pins optional.
Latch	Deadbolt: 1" throw with hardened steel rod insert (L90A0T). 2-3/8" or 2-3/4" adjustable. Latch Bolt: 1/2" throw stainless steel latch bolt. 2-3/4" backset-1" x 2-1/4" faceplate mortise latch with faceplate adapter. 2-3/8" backset-1" x 2-1/4" faceplate mortise latch.
Strike	Deadbolt: Standard deadbolt strike (9111), and 1/8" wood frame reinforcer package (9221). Latch Bolt: T-Strike standard (9106).
Handing	Universal, non-handing.
Screws	Combination screws for both metal and wood doors.
Keys	2 brass keys per set. Key as requested (KA, KD, MCK, MK, GMK).
IC Core	Model: 301IL-IC. Door fitting: 1-5/8" ~ 2". SFIC compatible with BEST profile 6-pins and 7-pins.
Indicator	Model: 321IL Indicator with Passage Lever. Model: 320IL Indicator with Entrance Lever.



**301IL F95**  
Entrance Single Locking



**300IL F97**  
Entrance Double Locking



**304IL F98**  
Storeroom Double Locking



**321IL Indicator**  
Entrance Single Locking



### Latch & Parts



**E9060T**  
Dead Latch  
for 2-3/8" backset



**E9070T**  
Dead Latch  
for 2-3/4" backset



**E9068T**  
Spring Latch  
for 2-3/8" backset



**E9078T**  
Spring Latch  
for 2-3/4" backset



**L90A0T**  
Adjustable UL Deadbolt Latch  
for 2-3/8" and 2-3/4" backset



**1180**  
Faceplate Adapter  
Use on 1" width for 1-1/8" width requirement

### Strike



**9106 T-Strike**  
1-1/8" x 2-3/4"



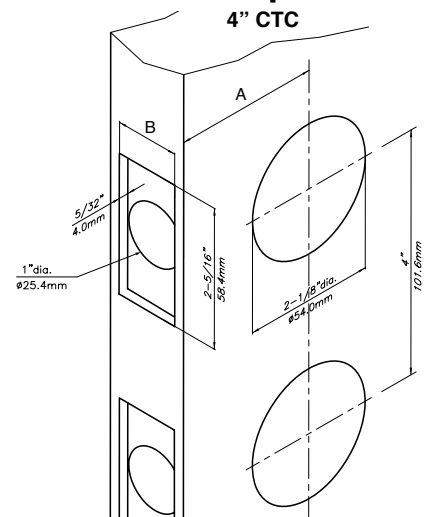
**9111**  
Dead Bolt Strike  
1-1/8" x 2-3/4"



**9221 Wood Frame Reinforcer Package**

- 1/8" thick wood frame reinforcer x 1
- 3" wood screws x 2
- strike box x 1

### Door Preparation



Backset	2-3/4"	2-3/8"
A	2-3/4"	2-3/8"
B	1-3/16"	1-1/16"

**ADVANTAGE**<sup>®</sup>  
by PHILADELPHIA HARDWARE GROUP

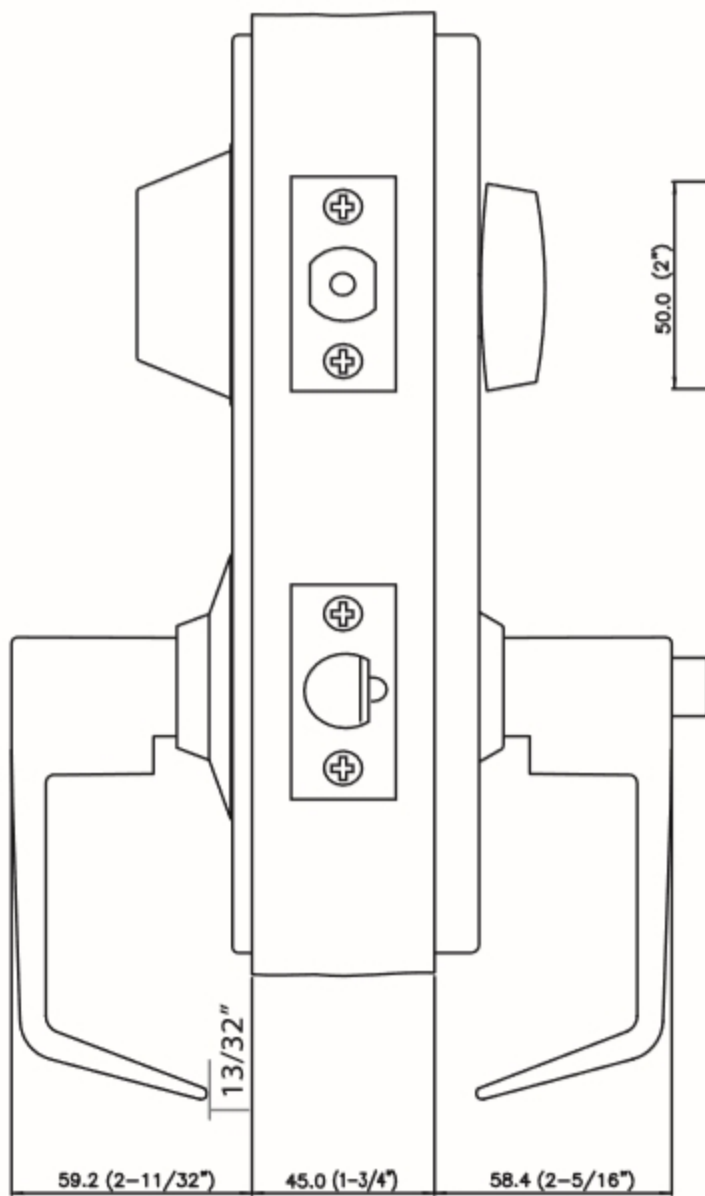
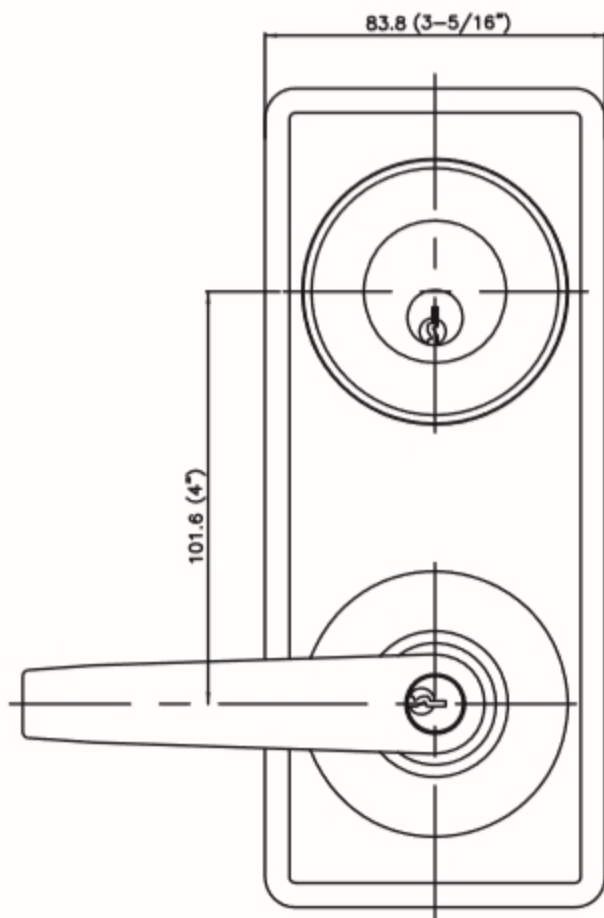


**ADVANTAGE<sup>®</sup>**

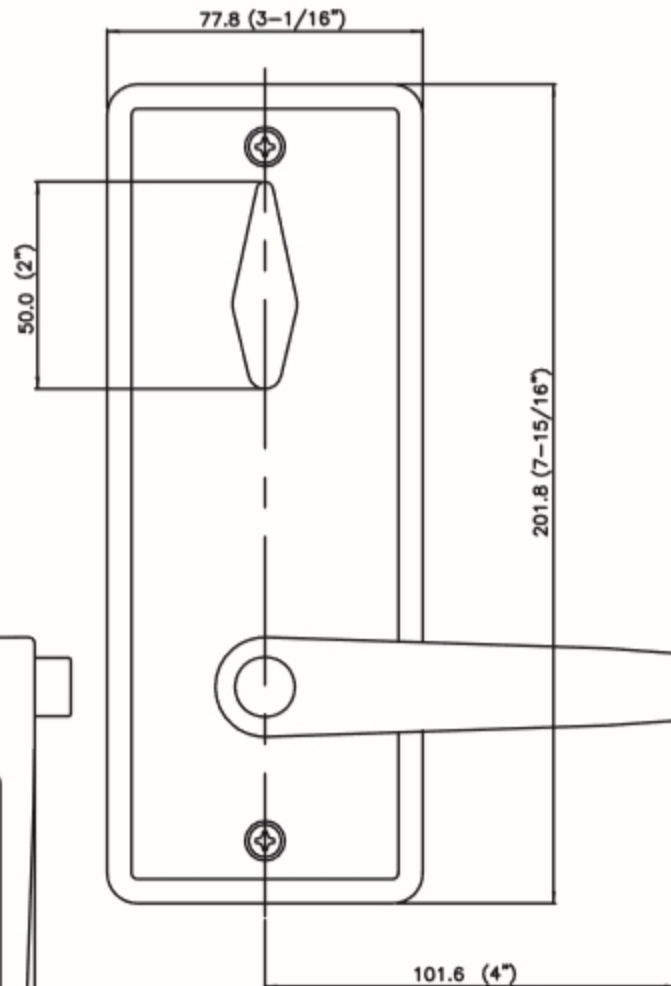
# INTERCONNECTED LOCK (BOX PACK)

Not To Scale

**Grade II**



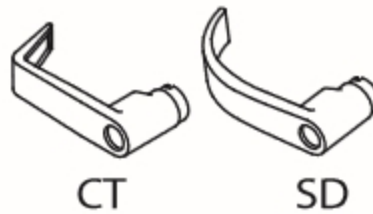
Ø 35~45 (1-3/8~1-3/4)  
Ø 2"



## INTERCONNECTED



Stock Levers:



Non-stock Levers:

