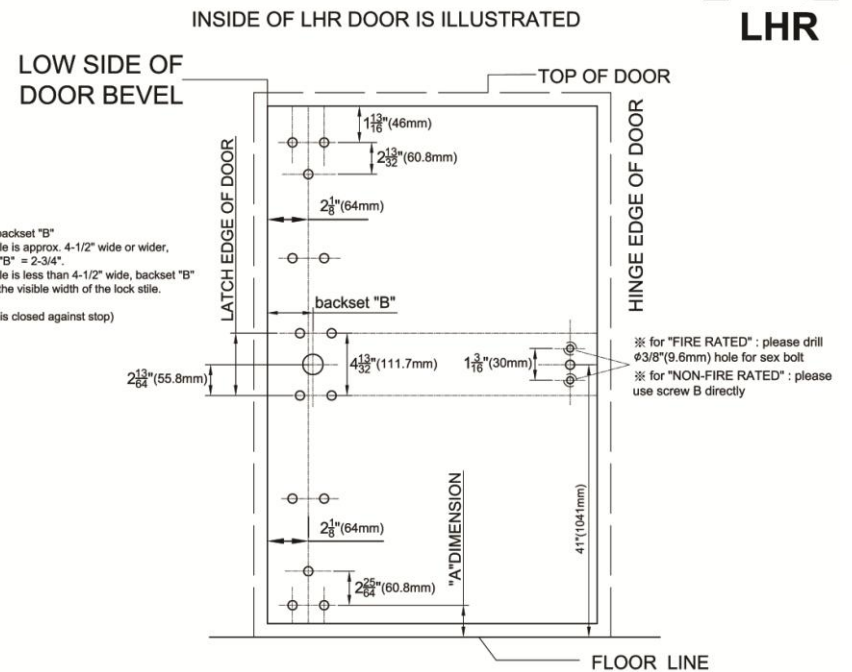
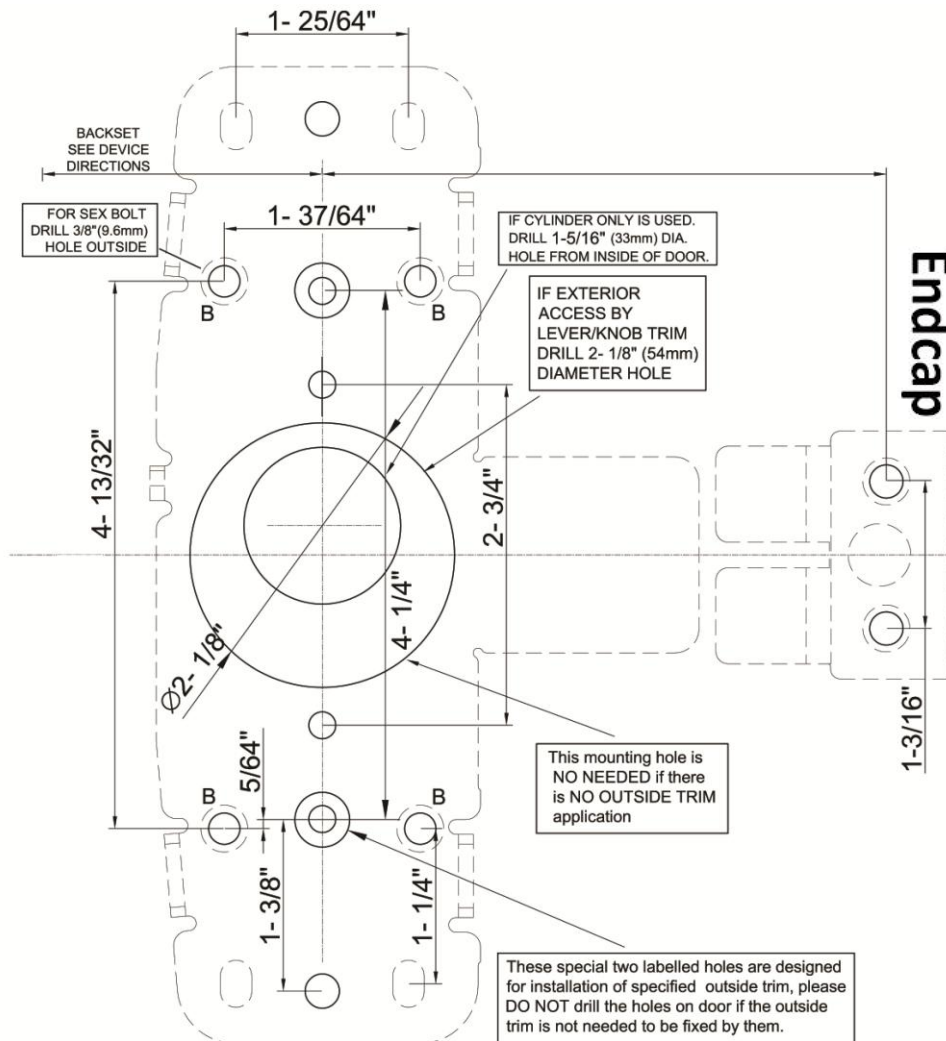




Philadelphia Hardware Group – www.philihardware.com
 6590 Top Gun St., San Diego, CA. 92121 Tel: 800-545-2309 Fax: 800-828-0988

Revision Date: Dec. 2014
Drawing is not to scale.

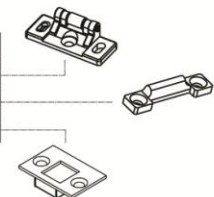
Template – Advantage 9700 Series Exit Device
SVR & Fire Rated SVR Device - LHR
For Metal & Wood Doors



Determine backset "B"
 ※ If lock stile is approx. 4-1/2" wide or wider, backset "B" = 2-3/4".
 ※ If lock stile is less than 4-1/2" wide, backset "B" = 1/2 of the visible width of the lock stile.
 (when door is closed against stop)

Regularly furnished unless otherwise ordered.

"A" DIMENSION	INSTALLATION
1-47/64" (44mm)	For Surface Strike
1-9/16" (39.5mm)	For Handicap Strike
1-5/32" (29.5mm)	For Mortise in Strike



SAN DIEGO

CHICAGO

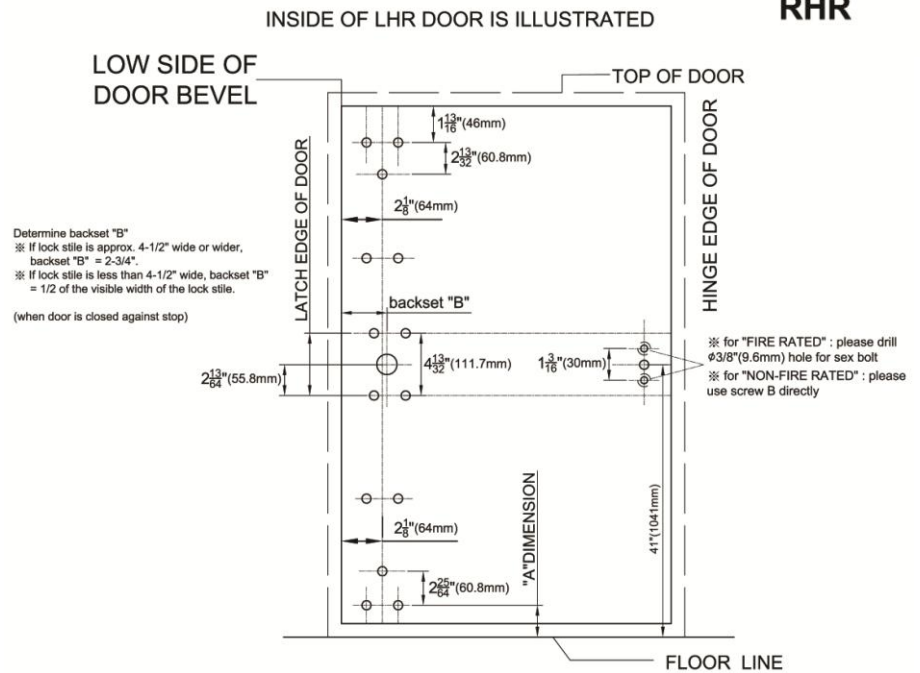
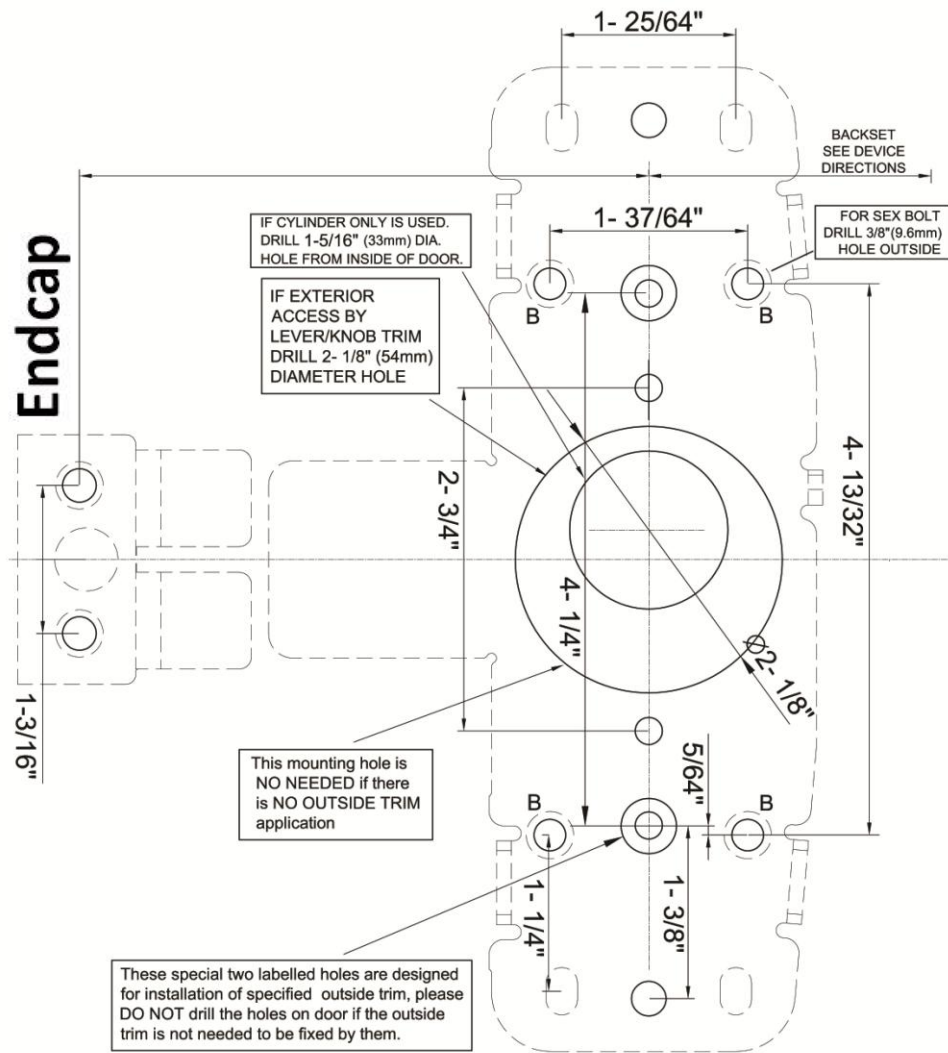
ATLANTA



Philadelphia Hardware Group – www.philihardware.com
 6590 Top Gun St., San Diego, CA. 92121 Tel: 800-545-2309 Fax: 800-828-0988

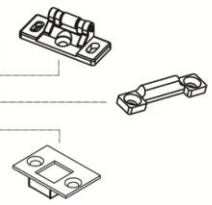
Revision Date: Dec. 2014
Drawing is not to scale.

Template – Advantage 9700 Series Exit Device
SVR & Fire Rated SVR Device - RHR
For Metal & Wood Doors



Regularly furnished unless otherwise ordered.

"A" DIMENSION	INSTALLATION
1-47/64" (44mm)	For Surface Strike
1-9/16" (39.5mm)	For Handicap Strike
1-5/32" (29.5mm)	For Mortise in Strike



SAN DIEGO

CHICAGO

ATLANTA