

RH Series TUBULAR LEVERSET

ANSI GRADE 2



ANSI GRADE 2
ANSI/BHMA A156.2-2003
Series 4000, Grade 2
Exceeds 400,000 cycles



3 hours Fire rating
UL10C/UBC 7-2(1997)
Positive Pressure Rated



ADA compliant
ANSI A117.1
Barrier Free
Accessibility

**CALIFORNIA STATE
REFERENCE CODE**
Formerly Title 19,
California State Fire Marshal (CSFM)
levers return to within 1/2" of door face

Features

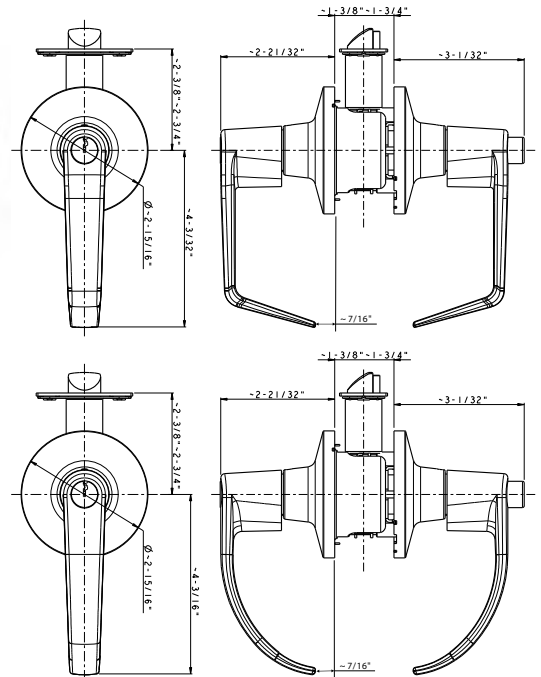
- SC4 6-pin Standard
- Concealed Mounting Screws
- Reinforcing Barrel
- Fast and Easy Installation
- Panic Proof (inside always free)
- Push Button for Entrance and Privacy Function



500RH-CT
Charlotte (CT) Lever



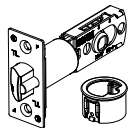
500RH-SD
San Diego (SD) Lever



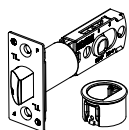
Specifications

Door Fitting	1-3/8" ~ 1-3/4" door thick. 2" available.
Lock Chassis	Heavy gauge dichromated steel. Zinc dichromated for corrosion resistance.
Exposed Trim	Wrought brass or stainless steel. Pressure cast zinc lever.
Cylinder	Solid brass SC4 6-pins standard. KW1 5-pins optional.
Latch	1/2" throw stainless steel latch bolt. 2-3/4" and 2-3/8" adjustable backset. 1" width square corner faceplate.
Strike	T-Strike standard (9106). ASA Strike optional (9109).
Handing	Universal, non-handing.
Screws	Combination screws for both metal and wood doors.
Keys	2 brass keys per set. Key as requested (KA, KD, MCK, MK, GMK).

Latch & Parts



T90A0T
Dead Latch Adustable
for 2-3/8" or 2-3/4" backset
D90A0
Dead latch drive in cap



T90A3T
Spring Latch Adustable
for 2-3/8" or 2-3/4" backset
D90A3
Spring latch drive in cap



1180
Faceplate Adapter
Use on 1" width for
1-1/8" width requirement

Strike

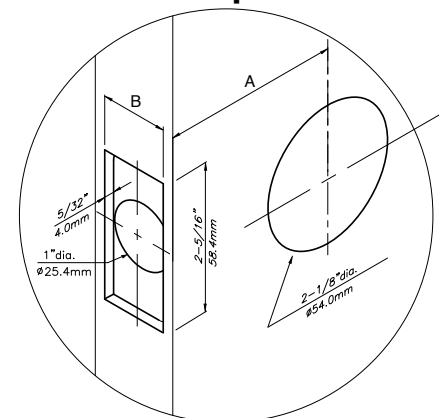


9109 ASA Strike
1-1/4" x 4-7/8", 5/8" lip



9106 T-Strike
1-1/8" x 2-3/4"

Door Preparation



Backset	2-3/4"	2-3/8"
A	2-3/4"	2-3/8"
B	1-1/16"	1-1/16"

ADVANTAGE[®]
by PHILADELPHIA HARDWARE GROUP

* Use faceplate adapter (1180) when "B" size is 1-3/16"