

LU Series DEADBOLT

ANSI GRADE 2

LIFETIME Warranty

ANSI GRADE 2
ANSI/BHMA A156.5-2001



3 hours Fire rating
UL10C/UBC 7-2(1997)
Positive Pressure Rated

LISTED



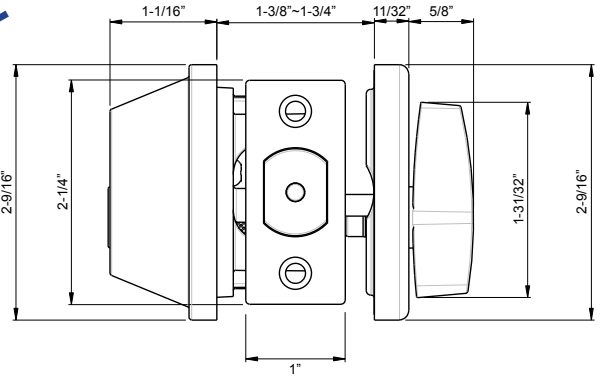
ADA thumbturn

Features

SC4 6-pin Standard
Fast and Easy Installation



200LU
Single Cylinder



200LU-IC



220LU

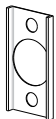
Specifications

Door Fitting	1-3/8" ~ 1-3/4" door thick. 2" ~ 2-1/4" available.
Exposed Trim	Wrought brass or stainless steel.
Keys	2 brass keys per set. Key as requested (KA, KD, MCK, MK, GMK).
Cylinder	Solid brass SC4 6-pins standard with black powder metallurgy cylinder housing.
Latch	1" throw solid brass deadbolt latch with hardened steel rod insert. 1" x 2-1/4" faceplate adjustable mortise deadbolt latch (L90A0T).
Strike	Standard deadbolt strike (9111), and 1/8" wood frame reinforcer package (9221). ASA Deadbolt Strike optional (9109D).
Screws	Combination screws for both metal and wood doors.
IC Core	Model: 200LU-IC. Door fitting: 1-5/8" ~ 2". SFIC compatible with BEST profile 6-pins and 7-pins.
Indicator	Model: 220LU

Latch & Parts



L90A0T
Adjustable UL Deadbolt Latch
for 2-3/8" and 2-3/4" backset



1180
Faceplate Adapter
Use on 1" width for
1-1/8" width requirement

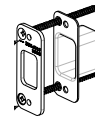
Strike



9109D ASA Deadbolt Strike
1-1/4" x 4-7/8"



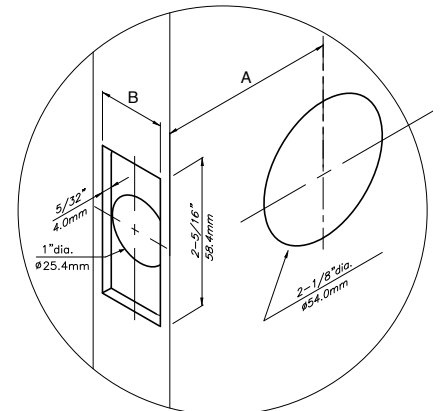
9111 Deadbolt Strike
1-1/8" x 2-3/4"



9221 Wood Frame Reinforcer Package

- 1/8" thick wood frame reinforcer x 1
- 3" wood screws x 2
- strike box x 1

Door Preparation



Backset	2-3/4"	2-3/8"
A	2-3/4"	2-3/8"
B	1-3/16"	1-1/16"

ADVANTAGE[®]
by PHILADELPHIA HARDWARE GROUP