

LM Series DEADBOLT

ANSI GRADE 1

LIFETIME Warranty

ANSI GRADE 1
ANSI/BHMA A156.5-2001



3 hours Fire rating
UL10C/UBC 7-2(1997)
Positive Pressure Rated

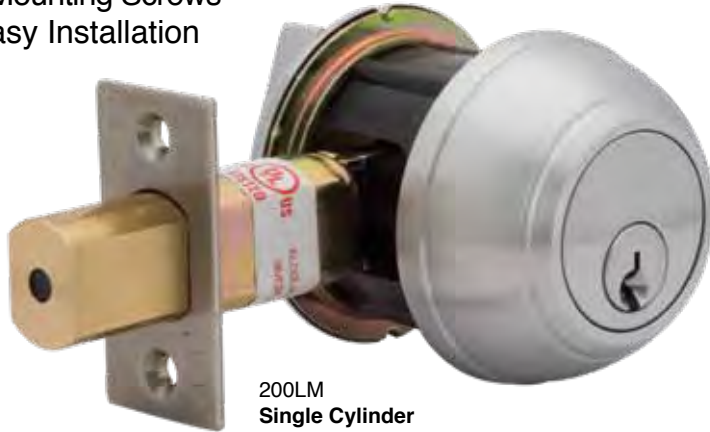
LISTED



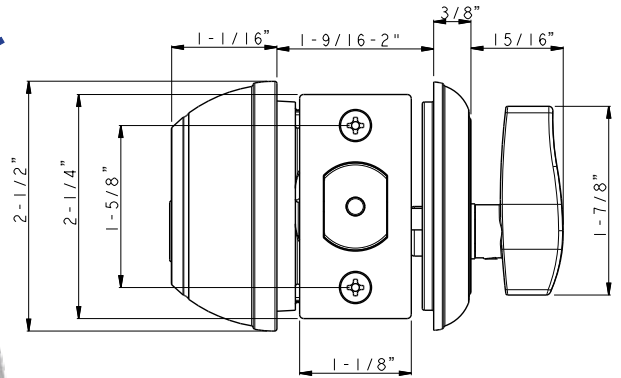
ADA thumbturn

Features

SC4 6-pin Standard
Concealed Mounting Screws
Fast and Easy Installation



200LM
Single Cylinder



210LM
Double Cylinder

Specifications

Door Fitting	1-9/16" ~ 2" door thick. 2-1/4" available.
Exposed Trim	Solid forged brass.
Keys	2 brass keys per set. Key as requested (KA, KD, MCK, MK, GMK).
Cylinder	Solid brass SC4 6-pins standard with black powder metallurgy cylinder housing.
Latch	1" throw solid brass deadbolt latch with hardened steel rod insert. 2-3/4" backset: 1-1/8" x 2-1/4" faceplate mortise deadbolt latch (L9070TA). 2-3/8" backset: 1" x 2-1/4" faceplate mortise deadbolt latch (L9060TA).
Strike	Standard deadbolt strike (9121), and 1/8" wood frame reinforcer package (9221). ASA Deadbolt Strike optional (9109D).
Screws	Combination screws for both metal and wood doors.
Lock Chassis	Heavy gauge dichromated steel. Featuring a zinc security installation shield.
IC Core	Model: 200LM-IC. SFIC compatible with BEST profile 6-pins and 7-pins.



200LM-IC

Latch & Parts



L9060TA
Deadbolt Latch
for 2-3/8" backset



L9070TA
Deadbolt Latch
for 2-3/4" backset



1180
Faceplate Adapter
Use on 1" width for
1-1/8" width requirement

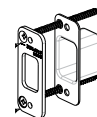
Strike



9109D ASA Deadbolt Strike
1-1/4" x 4-7/8"



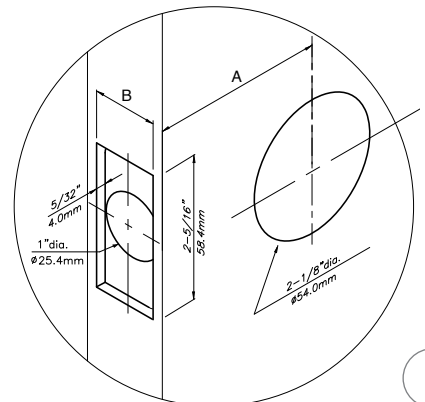
9121 Deadbolt Strike
1-1/8" x 2-3/4"



9221 Wood Frame Reinforcer Package

- 1/8" thick wood frame reinforcer x 1
- 3" wood screws x 2
- strike box x 1

Door Preparation



Backset	2-3/4"	2-3/8"
A	2-3/4"	2-3/8"
B	1-3/16"	1-1/16"

ADVANTAGE[®]
by PHILADELPHIA HARDWARE GROUP