

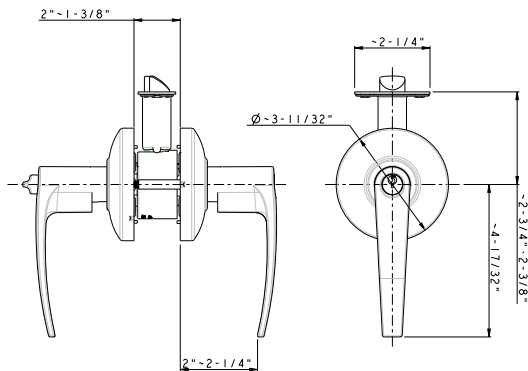
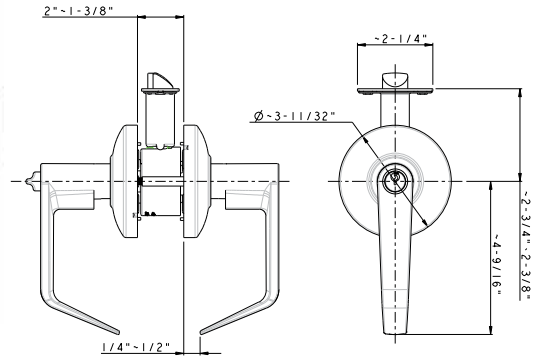
H Series

CYLINDRICAL LEVERSET (NON-CLUTCH)

BHMA
CERTIFIED



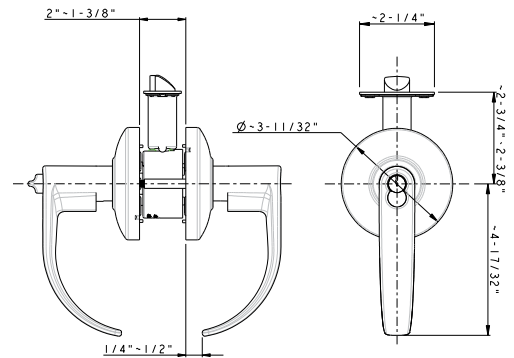
500HV-CT
Charlotte (CT) Lever



500HV-MD
Madison (MD) Lever



500HC-SD
San Diego (SD) Lever



500HC-CT
Charlotte (CT) Lever

Features

- SC4 6-pin Standard
- Independent Torsion Spring
- Fast and Easy Installation
- Removable Through Bolt, 2-3/4" CTC
- Panic Proof (inside always free)
- Concealed Mounting Screws

HV Series: Lock with standard cylinder or no cylinder

HC Series: Lock with interchangeable core design

ADVANTAGE[®]
by PHILADELPHIA HARDWARE GROUP

ANSI GRADE 2 NON-CLUTCH

LIFETIME Warranty

ANSI GRADE 2
ANSI/BHMA A156.2-2003
Series 4000, Grade 2
Exceeds 400,000 cycles



3 hours Fire rating
UL10C/UBC 7-2(1997)
Positive Pressure Rated



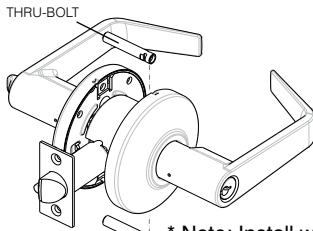
ADA compliant
ANSI A117.1
Barrier Free
Accessibility

**CALIFORNIA STATE
REFERENCE CODE**
Formerly Title 19,
California State Fire Marshal (CSFM)
levers return to within 1/2" of door face

Specifications

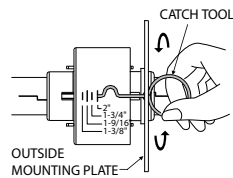
Door Fitting	1-3/8" ~ 2" door standard. Factory preset at 1-3/4". Thru-Bolt CTC: 2-3/4".
Exposed Trim	Wrought brass. Pressure cast zinc lever.
Lock Chassis	Heavy gauge dichromated steel. Featuring a solid rosette, both interior and exterior for extra security.
Cylinder	SC4 6-pins standard. KW1 5-pins optional.
Latch	1/2" throw stainless steel latch bolt. Square corner faceplate standard, round corner available. 2-3/4" backset: 1-1/8" x 2-1/4" faceplate. Optional for 1" width. 2-3/8" backset: 1" x 2-1/4" faceplate. Floating latch design fits both flat or beveled doors 1/8" in 2".
Strike	ASA Strike standard (9109). Backset: 2-3/4" stanard, optional for 2-3/8", 3-3/4" & 5".
Handing	Universal, non-handing.
Screws	Combination screws for both metal and wood doors.
Keys	2 brass keys per set. Key as requested (KA, KD, MCK, MK, GMK).
IC Core	HC series, e.g. 500HC for Entrance. SFIC compatible with BEST profile 6-pins and 7-pins.

Removable Through Bolt

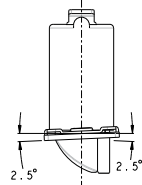


* Note: Install w/o thru-bolts void ANSI Grade 2, and warranty.

Adjustable Door Fitting

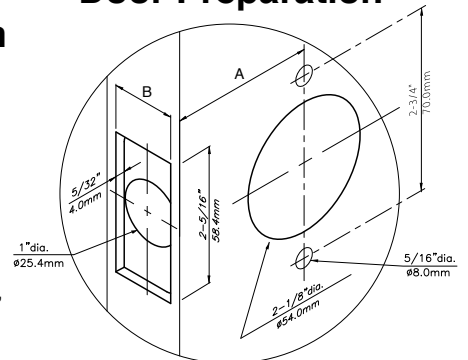


Floating Latch Design



Adjustable for flat or beveled doors 1/8" in 2"

Door Preparation



Latch & Parts



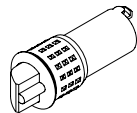
H9060T
Dead Latch for 2-3/8" backset
H9070T
Dead Latch for 2-3/4" backset



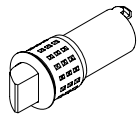
H9063T (kick-off)
Spring Latch for 2-3/8" backset
H9073T (kick-off)
Spring Latch for 2-3/4" backset



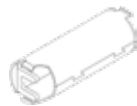
1180
Faceplate Adapter
Use on 1" width for 1-1/8" width requirement



H9060C
Drive-in Dead. Latch for 2-3/8" backset
H9070C
Drive-in Dead. Latch for 2-3/4" backset



H9063C (kick-off)
Drive-in Spring. Latch for 2-3/8" backset
H9073C (kick-off)
Drive-in Spring. Latch for 2-3/4" backset



2214
5" backset extension tube (use with 2-3/4" backset latch)
2138
3-3/4" backset extension tube (use with 2-3/8" backset latch)

Backset	2-3/4"	2-3/8"
A	2-3/4"	2-3/8"
B	1-3/16"	1-1/16"

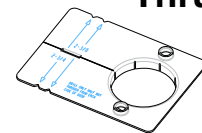
Strike



9109 ASA Strike
1-1/4" x 4-7/8", 5/8" lip

9106 T-Strike
1-1/8" x 2-3/4"

Thru-Bolt Jig (Metal)



9234
2-3/8" or 2-3/4" backset
Vertical CTC 2-3/4"