



**Philadelphia Hardware Group, Inc.**

6590 Top Gun St.  
San Diego, CA 92121  
www.philhardware.com  
Tel: 858-642-0450  
Fax: 858-642-0454  
V052623

# Advantage Exit Device ETL9 Series Escutcheon Lever Trim - ELEC

## Features

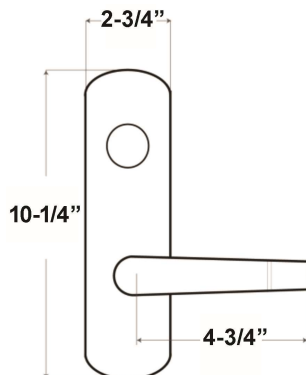
- Designed to Use with Grade 1 Exit Device
- Rigid Function Standard
- Standard For 1-3/4" Door Thickness
- Optional For 2" ~ 2-1/4" Door Thickness
- Field Reversible
- Low Current Draw
- Continuous Duty Solenoids
- Internally Mounted Solenoid
- Fail Safe (Electronically Lock) or Fail Secure (Electronically Unlock)



## Specifications

Certification	California State Reference Code: (Formerly Title 19, California State Fire Marshall Standard) For Levers with Returns to Within 1/2" of Door Face.
Operating Voltage	12V or 24V AC/DC (+/- 10%) – Must Specify 12V or 24V When Ordering
Amperage	12V=250mA or 24V=150mA
Solenoid Coil Resistance	12V=49Ω or 24V=159Ω
Keys	2 Keys Per Set. Keying As Requested (KA, KD, MCK, MK, GMK)
Mortise Cylinder	SCC Standard Optional with SFIC, LFIC, KW1
Lever Style	CT (Charlotte), SD (San Diego)
Finishes (BHMA)	US26D (626), US10B (613), US19 (622)

## Dimensions



## Functions

- ETL904EU – Storeroom - EU
- ETL904EL – Storeroom - EL
- ETL904ICBEU – SFIC Storeroom - EU\*
- ETL904ICBEL – SFIC Storeroom - EL\*
- ETL904ICSEU – LFIC Storeroom - EU\*\*
- ETL904ICSEL – LFIC Storeroom - EL\*\*

\*SFIC (Less Core)

\*\* LFIC (Less Core)