



Philadelphia Hardware Group, Inc.

6590 Top Gun St.
San Diego, CA 92121
www.philhardware.com
Tel: 858-642-0450
Fax: 858-642-0454
V052623

Advantage Exit Device 99 Series

ANSI GRADE 1
ANSI/BHMA A156.3-2014
Type 7 & 8
Exceeds 500,000 Cycles



LISTED

UL Listed for "A" Label Doors
Rated Up to 3 Hours
UL10C Positive Pressure Rated
Conforms to UBC 7-2 (1997)
UL305 Listed for Panic Hardware
UL10B Neutral Pressure Rated



Comply with
ANSI117.1 for
Accessible and
Usable Buildings
and Facilities
Standards



Specifications

Certification	ANSI Grade 1 Approved, Exceeds 500,000 Cycles UL305 Listed for Panic Hardware UL Listed for Up To 3HRS on "A" Label Fire Door UL10B Neutral Pressure Rated UL10C/UBC7-2(1997) Positive Pressure Rated Comply with ANSI117.1 for Accessible and Usable Buildings and Facilities Standards
Door Fitting	1-3/4" ~ 2" Door Thickness 2-3/4" Backset
Door Width	36" – Rail Can Be Cut From The End To Fit Door Size Down To 30" 48" – Rail Can Be Cut From The End To Fit Door Size Down To 40"
Structure	Head Cover – Plated Zinc Alloy Chassis – Steel Or Stainless Steel End Cap – Plated Zinc Alloy Rail Assembly – Heavy Gauge Extruded Aluminum
Latch Bolt	Stainless Steel Top Latch: 3/4" Throw Bottom Latch: 1/2" Throw
Strike	Top: 9172C Standard Top Strike Bottom: SVRCBS75 Standard Mortise In Bottom Strike 9573C Alternative Bottom Strike
Fastener	Furnished with Wood Screws and Machine Screws Sex Bolts (Fire Rated Device) 1344 – For 1-3/4" ~ 2" Door – (4 Pcs / Pack) 2144 – For 2-1/4" Door – (4 Pcs / Pack)
Filler	9222 – 1-1/8" x 2-1/4" Latch Front Filler 9209 – 1-1/4" x 4-7/8" ASA Strike Filler
Handing	Reversible, Non Handed

SAN DIEGO

CHICAGO

ATLANTA

DALLAS



6590 Top Gun St.
 San Diego, CA 92121
 www.philhardware.com
 Tel: 858-642-0450
 Fax: 858-642-0454
 V052623

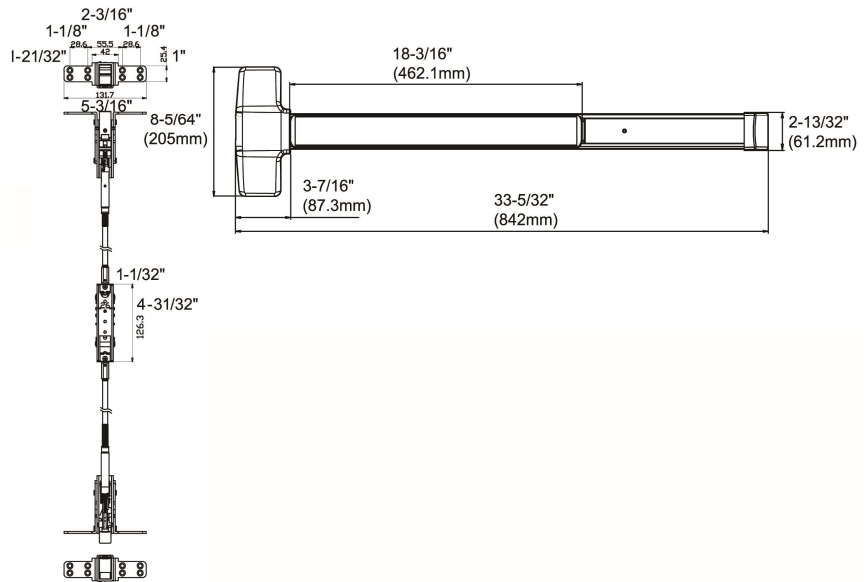
Philadelphia Hardware Group, Inc.

Alarm Kit	9AK36 = 36" 9AK48 = 48"
Dogging	Standard for 9900 (Non Rated) Cylinder Dogging Kit Available: - 9CDK36 = 36" - 9CDK48 = 48"
Finishes (BHMA)	US32D (630), US10B (613), US19 (622)

Dimensions

Projection: 3-17/64" Maximum

Overall Size: 8-5/64"H x 33-5/32"W or 45-5/32"W



Functions

99ED3684CVR – 36" x 84" CVR

99ED4896CVR – 48" x 96" CVR

99ED3684FCVR – 36" x 84" Fire Rated CVR

99ED4896FCVR – 48" x 96" Fire Rated CVR

99ED36FCLBR – 36" Fire Rated LBR

99ED48FCLBR – 48" Fire Rated LBR

Accessories

9172C Top Strike 	SVRCBS75 Mortise In Bottom Strike 	9573C Alternative Bottom Strike 	9209 ASA Strike Filler 	9222 Latch Front Filler
ETR12 12" Extension 	Sex Bolts 	9201-29 Dogging Key 	9AK36 9AK48 Alarm Kit 	9CD36 9CD48 Cylinder Dogging Kit

SAN DIEGO

CHICAGO

ATLANTA

DALLAS