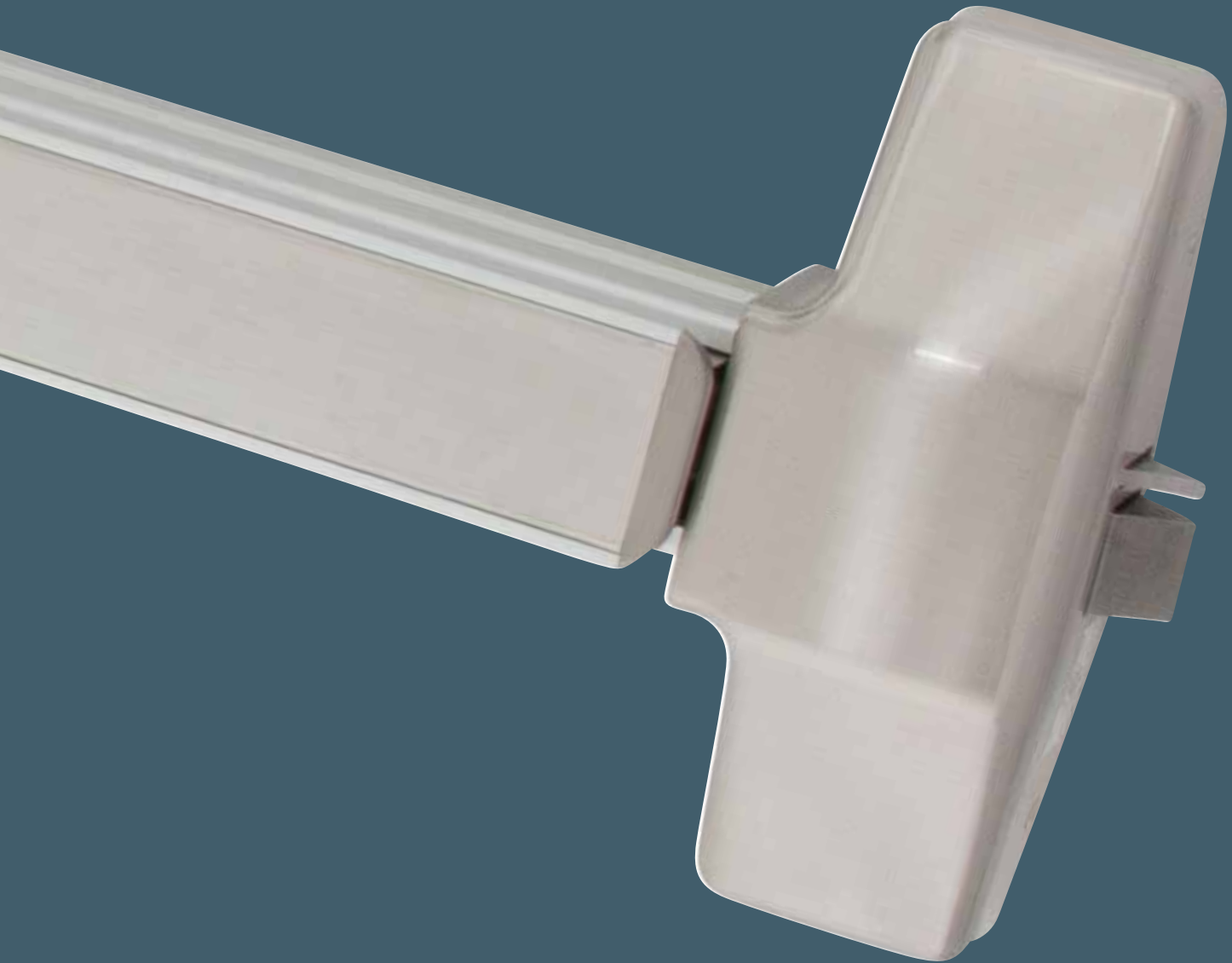


ADVANTAGE[®]

EXIT DEVICES



HURRICANE
APPROVED HARDWARE

MIAMI-DADE COUNTY
APPROVED

Notice of Acceptance
(NOA) No. 15-0629.03
Air Infiltration rating +/- 90 PSF
Water Resistance rating +/- 90 PSF
Florida Building Code: 20485



Always Striving.
philhardware.com

BHMA
CERTIFIED™

GENERAL INFORMATION

ADVANTAGE® exit devices are designed and manufactured in accordance to ISO9001 QMS and certified by BHMA.

All **ADVANTAGE**® exit devices are UL Listed for panic hardware and fire safety hardware and meets the certification of ANSI A156.3, Grade 1.

All **ADVANTAGE**® exit devices offers superior security and durability for panic hardware while complying with Life Safety Codes (NFPA 101), Fire Safety Requirements (NFPA 80) and ANSI A117.1 Accessibility & ADA Requirements. Our products are suitable for high impact applications such as schools, universities, commercial and institutional buildings.

FEATURED DESIGN

- All rim type exit devices are non-handed.
- All surface vertical rod type exit devices are handed with field reversible option.
- All exit devices are furnished with wood and machine screws.
- All fire rated exit devices are furnished with thru-bolts.
- Slotted mounting hole design on strike allows installer to make easy adjustment to align latch bolt with strike.
- All exit devices will cover standard hollow metal door with 161 cutout.

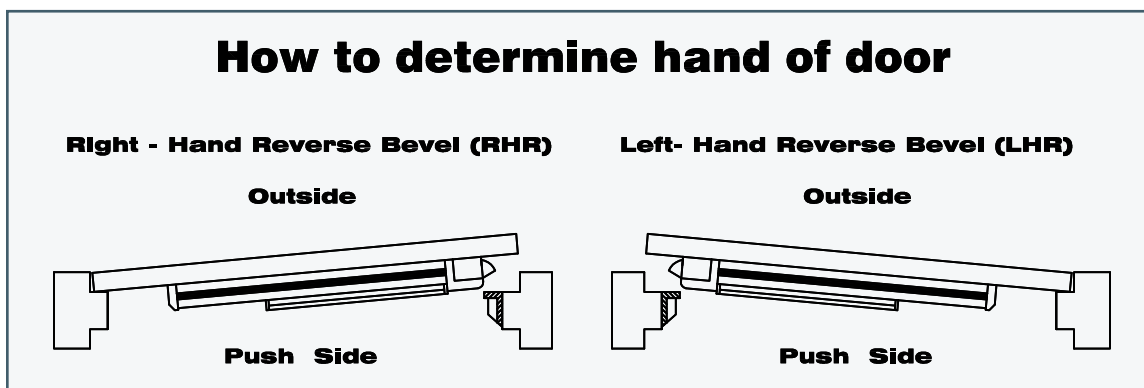
PRODUCT RANGE

<p>Grade 1 - 9500/9700 & F9500/F9700 Extra Heavy Duty</p>  <p>NOA No. 15-0629.03 +/- 90 PSF Florida Building Code: 20485</p>  	<p>Grade 1 - 7000/7100 & F7000/F7100 Heavy Duty</p> 
<p>Grade 1 - 8800/8900 & F8800/F8900 Heavy Duty</p> 	<p>Grade 1 - 2500/2700 & F2500/F2700 Heavy Duty</p> 

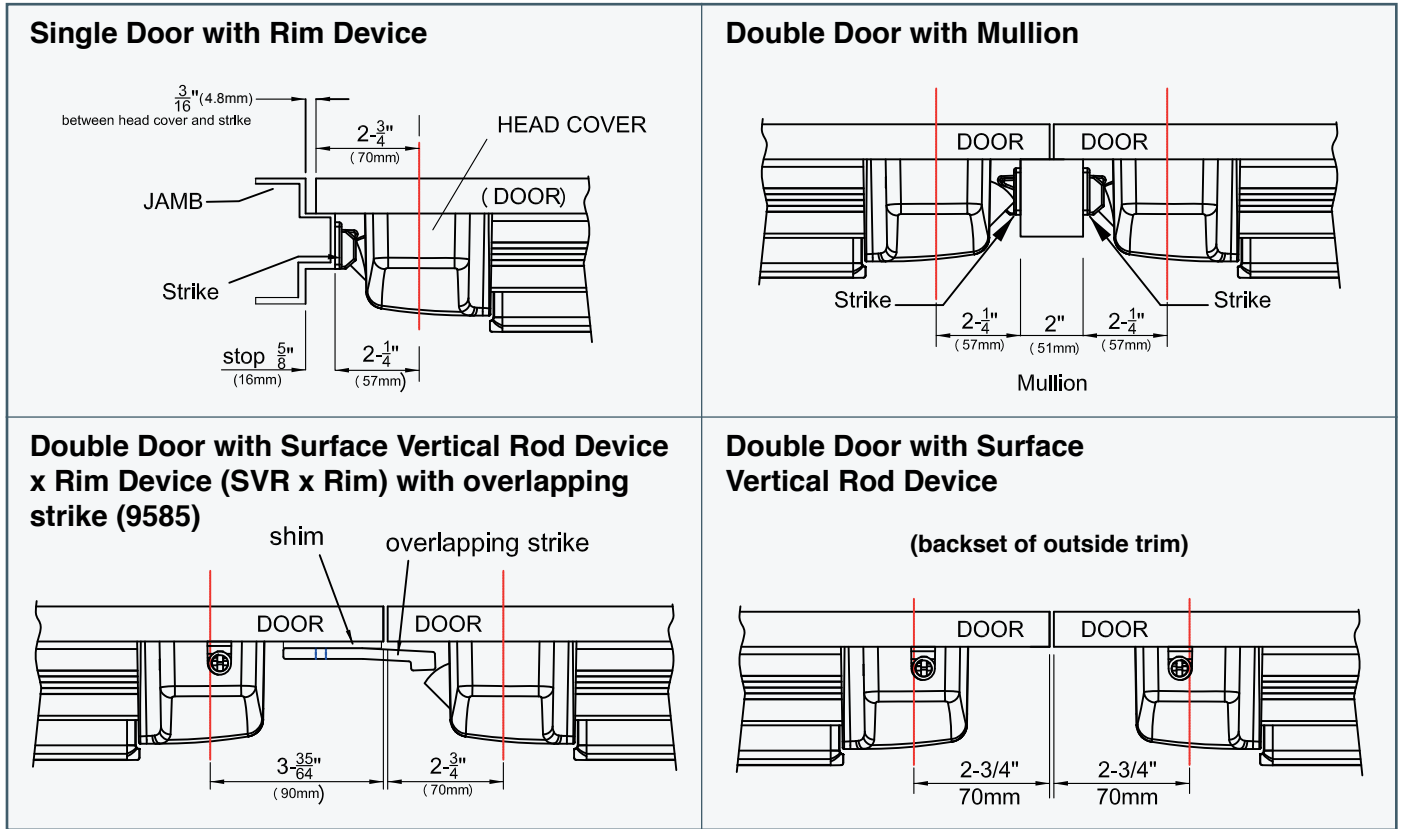
DOOR HANDING

The exit device is surface mounting from in interior side of the door panel.

The handing is specified as LHR or RHR.



POPULAR APPLICATIONS



* Drawing dimension is based on 9500/9700 series only. Not applicable to other series.

GLASS BEAD SHIM KIT

Glass Bead Shim Kit are used to raise the device from the door surface to accommodate glass light moulding.

CYLINDER DOGGING KIT

Cylinder Dogging Kit is available to replace standard dogging feature on non fire rated exit device.

* Kit is not available for all series. Please consult with PHG for options.

ALARM KIT

Alarm Kit are available for all exit devices. It contains an internal horn that is activated when the touch bar is depressed. The horn will sound continuously for certain period. Alarm Kit can be armed or disarmed by key.



OUTSIDE TRIMS

* Not all outside trims are available on all series. Please refer to each exit device series page for available outside trim options.





9800/F9800 Series Grade 1 Mortise Exit Device

ANSI GRADE 1
ANSI/BHMA A156.3-2014
Type 3
Exceeds 500,000 Cycles



UL Listed for "A" Label Doors
Rated Up to 3 Hours
UL10C Positive Pressure Rated
Conforms to UBC 7-2 (1997)
UL305 Listed for Panic Hardware
UL10B Neutral Pressure Rated



Comply with
ANSI117.1 for
Accessible and
Usable Buildings
and Facilities
Standards



When ordering a Mortise Lock Exit Device, it is recommend to choose a model of trims together and specify its lever design and finish.
Example:
9800-36-908ELM-CT-US32D
(Trim: 908ELM: Type 08 Escutcheon Trim)

SPECIFICATIONS

CERTIFICATIONS

- ANSI Grade 1 approved, exceeds 500,000 cycles.
- UL Listed for up to 3hrs on "A" label Fire Doors.
- Comply with ANSI117.1 for accessible and usable Buildings and Facilities Standards.

DOOR FITTING

- 1-3/4" ~ 2" thick standard.

DOOR WIDTH

- 36", rail can be cut from the end to fit door size down to 30".
- 48", rail can be cut from the end to fit door size down to 40".

MOUNTING HEIGHT

- 39-3/16" from CL of Mortise Latch case to finished floor.

STRUCTURE

- Head Cover – Plated Zinc Alloy.
- Chassis – Steel or Stainless Steel.
- End Cap – Plated Zinc Alloy.
- Rail Assembly – Heavy Gauge Extruded Aluminum.

LATCH CASE

- Standard ANSI Size with faceplate 8" x 1-1/4".
- Backset – 2-3/4" standard for ANSI Mortise Latch Case.
- Latch Bolt – Stainless Steel, 3/4" throw with auxiliary deadlocking latch.

STRIKE

- Stainless Steel, 4-7/8" x 1-1/4" x 3/32" ASA strike, curve lip. (9109M)

FASTENERS

- 9800 – Furnished with wood & machine Screws.
- F9800 – Sex nuts and bolts (SNB).

FINISH

- US32D (630) with anodized US26D aluminum body.
- US10B (613) Oil Rubbed Bronze.
- US19 (622) Matte Black.
- Special order for US26 (625) Polish Chrome.

HANDING

- Reversible non-handed.

DOGGING

- Standard for 9800.
- Cylinder Dogging Kit 9CD36/9CD48 available.

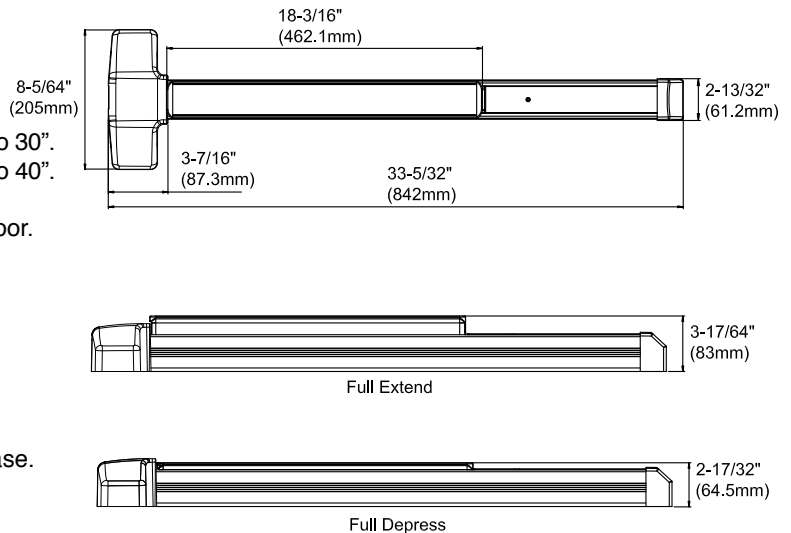
ALARM

- Alarm Kit 9AK36/9AK48 available.

DIMENSIONS

Projection: 3-17/64" maximum, 2-17/32" dogged.

Overall Size: 8-5/64" Height x Width 33-5/32" or 45-5/32".



Outside Trim, Strikes & Fillers, and Accessories for 9800



25-Year Warranty

OUTSIDE TRIMS

<p>900ELM Heavy Duty Escutcheon Lever Trim Finish: US32D, US10B, US19 Functions(ANSI): 908ELM Entrance(08) 914ELM Passage(14) 903ELM Storeroom(09) 902ELM Dummy(02)</p>		<p>Using Square Spindle</p>		<p>90° Offset Door Pull 1" Dia. S1010 - 10" CTC S1012 - 12" CTC</p>
		<p>Stock Levers:</p> <p>CT SD</p>		

STRIKES & ACCESSORIES

<p>ASA Strike with Curve Lip For 9800/F9800</p>		<p>Dogging Key</p> <p>9201-29</p>	<p>Filler</p> <p>9222 Latch front filler 1-1/8" x 2-1/4"</p>	<p>Filler</p> <p>9209 ASA strike filler 1-1/4" x 4-7/8"</p>
<p>Sex Bolt For Door 1-3/4" ~ 2" 1344 - for 9800/F9800(4pcs)</p> <p>For Door 2" ~ 2-1/4" 2144 - for 9800/F9800(4pcs)</p> <p>Finish: US32</p>	<p>Mortise Latch Case</p> <p>707P</p>	<p>Cylinder Dogging Kit</p> <p>9CD36 - for Exit Device 36" 9CD48 - for Exit Device 48"</p>	<p>Alarm Kit (with decal)</p> <p>9AK36 - for door width 36" 9AK48 - for door width 48"</p>	



9900/F9900 Series Grade 1 Concealed V/R (CVR) Exit Device

ANSI GRADE 1
ANSI/BHMA A156.3-2014
Type 7 & 8
Exceeds 500,000 Cycles



UL Listed for "A" Label Doors
Rated Up to 3 Hours
UL10C Positive Pressure Rated
Conforms to UBC 7-2 (1997)
UL305 Listed for Panic Hardware
UL10B Neutral Pressure Rated



Comply with
ANSI117.1 for
Accessible and
Usable Buildings
and Facilities
Standards

SPECIFICATIONS

CERTIFICATIONS

- ANSI Grade 1 approved, exceeds 500,000 cycles.
- UL Listed for up to 3hrs on "A" label Fire Doors.
- Comply with ANSI117.1 for accessible and usable Buildings and Facilities Standards.

DOOR FITTING

- 1-3/4"~ 2" thick standard.

DOOR WIDTH

- 36", rail can be cut from the end to fit door size down to 30".
- 48", rail can be cut from the end to fit door size down to 40".

MOUNTING HEIGHT

- 39-3/16" from CL of Mortise Latch case to finished floor.

STRUCTURE

- Head Cover – Plated Zinc Alloy.
- Chassis – Steel or Stainless Steel.
- End Cap – Plated Zinc Alloy.
- Rail Assembly – Heavy Gauge Extruded Aluminum.

LATCH BOLT

- Top Latch: 3/4" throw.
- Bottom Latch: 1/2" throw.

STRIKE

- Stainless Steel, Stainless Steel
- Top: 9572C, Bottom: 9575.

FASTENERS

- 9900 – Furnished with wood & machine Screws.
- F9900 – Furnished with wood & machine Screws and extra Sex nuts and bolts (SNB).

FINISH

- US32D (630) with anodized US26D aluminum body.
- US10B (613) Oil Rubbed Bronze.
- Special order for US26 (625) Polish Chrome.

HANDING

- Reversible non-handed.

DOGGING

- Standard for 9900.
- Cylinder Dogging Kit 9CD36/9CD48 available.

ALARM

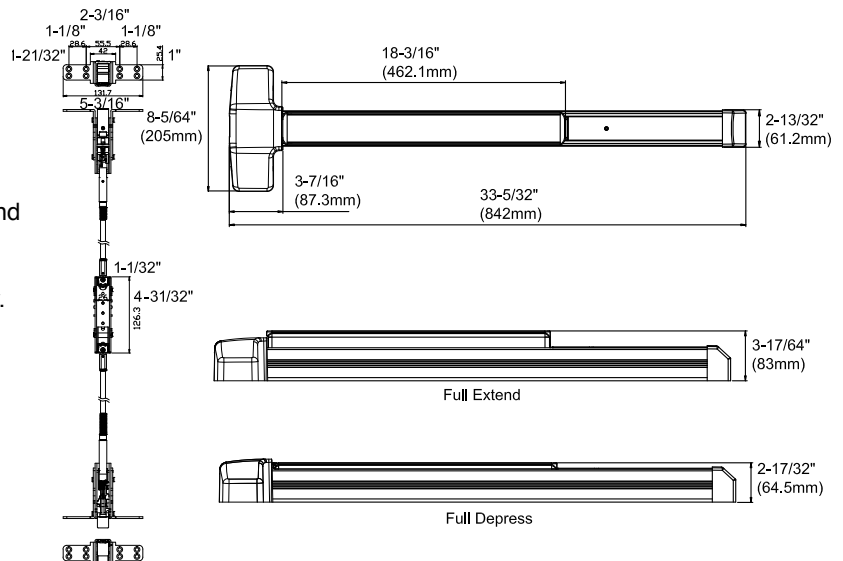
- Alarm Kit 9AK36/9AK48 available.



The Bottom Rod of F9900 can be omitted to use as Less Bottom Rod (LBR) with a UL listed Auxiliary Fire Latch (9279)

DIMENSIONS

Projection: 3-17/64" maximum, 2-17/32" dogged.
Overall Size: 8-5/64" Height x Width 33-5/32" or 45-5/32".



Outside Trim, Strikes & Fillers, and Accessories for 9900



25-Year Warranty

OUTSIDE TRIMS

<p>900ELC Heavy Duty Escutcheon Lever Trim Finish: US32D, US10B, US19 Functions(ANSI): 908ELC Entrance(08) 914ELC Passage(14) 909ELC Storeroom(03) 902ELC Dummy(02)</p>	<p>Using Hammer Shape Spindle</p> <p>Stock Levers: CT SD</p>		<p>90° Offset Door Pull 1" Dia. S1010 - 10" CTC S1012 - 12" CTC</p>
--	--	--	---

STRIKES & FILLERS

<p>V/R Top Strike For 9900/F9900</p>	<p>9172C</p>	<p>V/R Bottom Strike</p>	<p>Optional Bottom Strike</p>
<p>Filler</p> <p>9222 Latch front filler 1-1/8" x 2-1/4"</p>	<p>Filler</p> <p>9209 ASA strike filler 1-1/4" x 4-7/8"</p>	<p>Extension Rod ETR12C – 1' extension * For extend the Top Rod only</p>	<p>9573C</p>

ACCESSORIES

<p>Sex Bolt For Door 1-3/4" ~ 2" 1344 – for 9900/F9900(4pcs)</p> <p>For Door 2" ~ 2-1/4" 2144 – for 9900/F9900(4pcs)</p> <p>Finish: US32</p>	<p>Dogging Key</p> <p>9201-29</p>	<p>Cylinder Dogging Kit</p> <p>9CD36 – for Exit Device 36" 9CD48 – for Exit Device 48"</p>	<p>Alarm Kit (with decal)</p> <p>9AK36 – for door width 36" 9AK48 – for door width 48"</p>
--	--	--	--



9500/F9500 Series Grade 1 Rim Device 9700/F9700 Series Grade 1 V/R Exit Device

ANSI GRADE 1
ANSI/BHMA A156.3-2001
Type 1 & Type 2
Exceeds 500,000 Cycles



UL Listed for "A" Label Doors
Rated Up to 3 Hours
UL10C Positive Pressure Rated
Conforms to UBC 7-2 (1997)
UL305 Listed for Panic Hardware
UL10B Neutral Pressure Rated



Comply with
ANSI117.1 for
Accessible and
Usable Buildings
and Facilities
Standards



NOA No. 15-0629.03 +/- 90 PSF
Florida Building Code: 20485



9570 Strike



9571 Shim



9500 Rim Device
US32D



9572 Top Strike



9573 Standard Bottom Strike



9700 V/R Rim Device
US32D

SPECIFICATIONS

CERTIFICATIONS

- ANSI Grade 1 approved, exceeds 500,000 cycles.
- UL305 Listed for Panic Hardware.
- UL Listed for up to 3hrs on "A" label Fire Doors.
- UL10B Neutral Pressure rated.
- UL10C/UBC7-2(1997) Positive Pressure rated.
- Comply with ANSI117.1 for accessible and usable Buildings and Facilities Standards.

DOOR FITTING

- 1-3/4" thick standard.
- 5-3/8" min. stile width required for single door at 5/8" stop.
- 4-7/8" min. stile width required for double doors, and V/R x Rim Device with overlapping strike (9285).
- Mounting Height – 41" from CL to finished floor.

DOOR WIDTH

- 36", rail can be cut from the end to fit door size down to 30".
- 48", rail can be cut from the end to fit door size down to 40".

DOOR HEIGHT

- 84" (7') - Standard with 36" Door width.
- 96" (8') - Standard with 48" Door width.
- 1' long Extension Rod available. (ETR12)

STRUCTURE

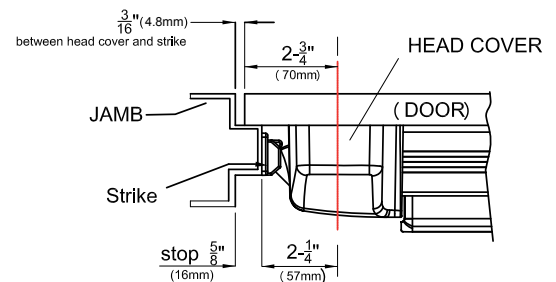
- Head Cover – Plated Zinc Alloy.
- Chassis – Steel or Stainless Steel.
- End Cap – Plated Zinc Alloy.
- Rail Assembly – Heavy Gauge Extruded Aluminum.

LATCH BOLT

- Rim – Stainless Steel, 3/4" throw.
Automatic dead-latching by pressing down the Guard Bolt.
- V/R – Top: Stainless Steel, 19/32" throw.
Bottom: Stainless Steel, 39/64" throw.

Mount with Outside Trim

Standard Backset 2-3/4" Stop 5/8"



9500/F9500 Series Grade 1 Rim Device 9700/F9700 Series Grade 1 V/R Exit Device



25-Year Warranty

SPECIFICATIONS

STRIKE

- Rim – Solid Stainless Steel (9570). 1/8" Thick Steel Shim (9571) included for 1/2" Door Stop. Overlapping Strike (9585) for use on Rim Device with Surface Vertical Rod for Double Door.
- V/R – Top: Stainless Steel with roller. (9572)
Bottom: Stainless Steel with roller. (9573) Alternative Bottom Strike – 9574 & 9575.



FASTENERS

- Furnished with wood & Machine screw.
- Thru-Bolts for F9500/F9700. (1346/1310)

FINISH

- US32D on Head Cover, Touch Bar, End Cap, and Latch Cases.
- US19 (622) Matte Black, Mounting Rail is aluminum anodized US26D).
- Special order for US26 (625) Polish Chrome.



HANDING

- Rim – Reversible non-handed.
- V/R – Standard with RHR or LHR, easily field reversible.

DOGGING

- Standard for 9500/9700 only, Cylinder Dogging optional (with Dogging Kit – 9CD36 or 9CD48).

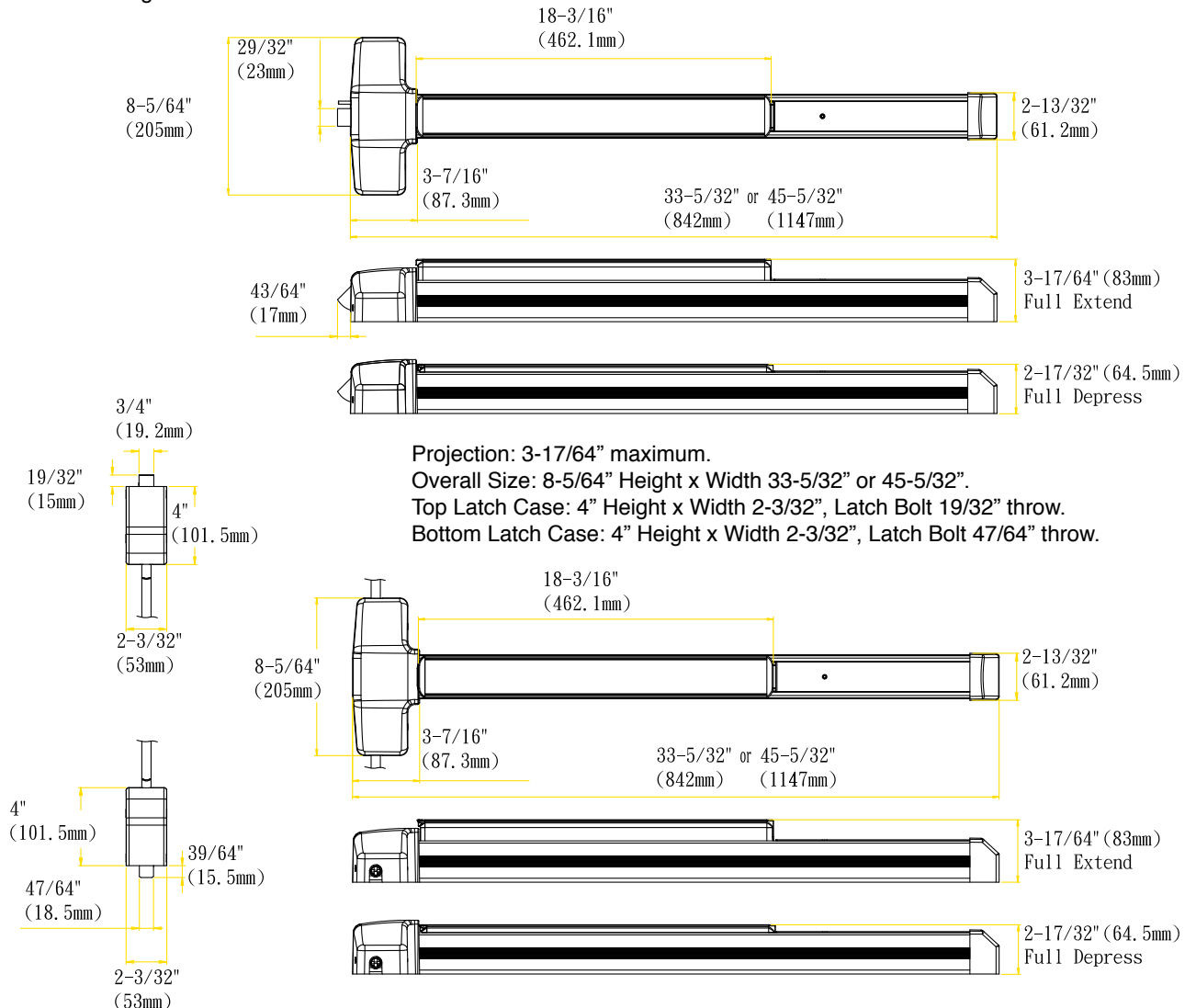
ALARM

- Alarm Kit available, Item code – 9AK36 or 9AK48.

DIMENSIONS

Projection: 3-17/64" maximum, 2-17/32" dogged.

Overall Size: 8-5/64" Height x Width 33-5/32" or 45-5/32".







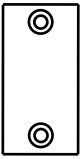

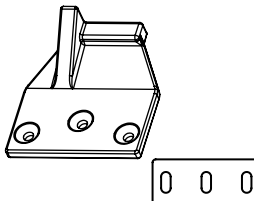


9500/F9500 Series Grade 1 Rim Device 9700/F9700 Series Grade 1 V/R Exit Device


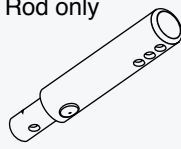

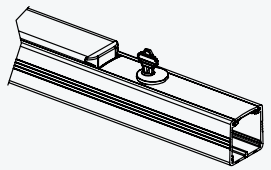
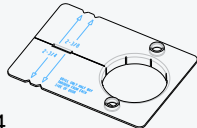

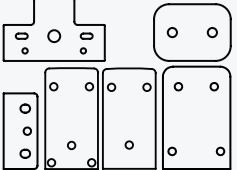
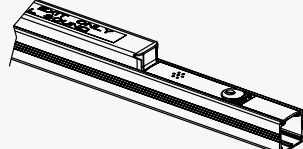
OUTSIDE TRIMS

<p>900L Heavy Duty Lever Trim Finish: US26D, US19 Functions(ANSI): 900L Entrance(08) 901L Passage(14) 904L Storeroom(09) 915L Dummy(02)</p> 	<p>900ETL Heavy Duty Escutcheon Lever Trim Finish: US32D, US19 Functions(ANSI): 900ETL Entrance(08) 901ETL Passage(14) 904ETL Storeroom(09) 915ETL Dummy(02)</p>  <p>10-5/8"</p>	<p>400TP Thumbpiece Trim Finish: US32D Functions(ANSI): 400TP Entrance(05) 401TP Passage(15) 404TP Night Latch(06) 415TP Dummy(02)</p> 	<p>611PT Pull Trim Finish: US32D Functions(ANSI): 611PT Night Latch(03) 615PT Dummy(02) 630PT Cover Plate</p> <p>90° Offset Door Pull 1" Dia. S1010 - 10" CTC S1012 - 12" CTC Dummy(02)</p> 
--	--	--	---

STRIKES & FILLERS

<p>Surface Strike and Shim For 9500/F9500</p>  <p>9570 9571 Shim, 1/8" thick</p>	<p>V/R Top Strike</p>  <p>SVRTS72</p>	<p>V/R Bottom Strike</p>  <p>SVRBS73</p>	<p>Alternative Bottom Strike</p>  <p>SVRABS74 SVRCBS75</p>
<p>Filler</p>  <p>9222 Latch front filler 1-1/8" x 2-1/4"</p>	<p>Filler</p>  <p>9209 ASA strike filler 1-1/4" x 4-7/8"</p>	<p>Overlapping Strike with Shim</p>  <p>9585</p> <p>Used for double door on inactive door to receive latch on active door. 1/8" shim included</p>	

ACCESSORIES

<p>Thru-Bolt For Door 1-3/4" ~ 2" 1346 – for 9500/F9500(6pcs) 1310 – for 9700/F9700(10pcs) For Door 2" ~ 2-1/4" 2146 – for 9500/F5700(6pcs) 2110 – for 9700/F9700(10pcs) Finish: US32</p> 	<p>Ext. Rod ETR12 – 1' extension</p> <p>* For extend the Top Rod only</p> 	<p>Dogging Key</p>  <p>9201-29</p>	<p>Cylinder Dogging Kit</p>  <p>9CD36 – for Exit Device 36" 9CD48 – for Exit Device 48"</p>
<p>Thru-Bolt Jig For 900L Vertical Thru-Bolt Backset 2-3/4", CTC 2-3/4"</p>  <p>9234</p>	<p>Glass Bead Shim Kits For 9500/F9500</p>  <p>9501</p>	<p>Glass Bead Shim Kits For 9700/F9700</p>  <p>9706</p>	<p>Alarm Kit (with decal)</p>  <p>9AK36 – for door width 36" 9AK48 – for door width 48"</p>

8800/F8800 Series Grade 1 Rim Device 8900/F8900 Series Grade 1 V/R Exit Device



ANSI GRADE 1
ANSI/BHMA A156.3-2001
Type 1 & Type 2
Exceeds 500,000 Cycles



UL Listed for "A" Label Doors
Rated Up to 3 Hours
UL10C Positive Pressure Rated
Conforms to UBC 7-2 (1997)
UL305 Listed for Panic Hardware
UL10B Neutral Pressure Rated



Comply with **25-Year Warranty**
ANSI117.1 for
Accessible and
Usable Buildings
and Facilities
Standards



8800 Rim Device
Aluminum



8900 V/R Device
US32D

SPECIFICATIONS

CERTIFICATIONS

- ANSI Grade 1 approved, exceeds 500,000 cycles.
- UL305 Listed for Panic Hardware.
- UL Listed for up to 3hrs on "A" label Fire Doors.
- UL10B Neutral Pressure rated.
- UL10C/UBC7-2(1997) Positive Pressure rated.
- Comply with ANSI117.1 for accessible and usable Buildings and Facilities Standards.

DOOR FITTING

- 1-3/4" thick standard.
- Rim – 3/4" throw. Zinc Alloy for fire rated, Stainless Steel for fire rated.
- V/R – Top: 1/2" throw.
Bottom: 1/2" throw.
- Mounting Height – 41" from CL to finished floor.

DOOR WIDTH

- 36", rail can be cut from the end to fit door size down to 30".
- 48", rail can be cut from the end to fit door size down to 40".

DOOR HEIGHT

- 84" (7') - Standard with 36" Door width.
- 96" (8') - Standard with 48" Door width.

STRUCTURE

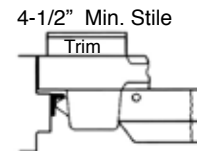
- Head Cover – Plated Zinc Alloy.
- Chassis – Steel or Stainless Steel.
- End Cap – Plated Zinc Alloy.
- Rail Assembly – Heavy Gauge Painted Steel or Stainless Steel.

LATCH BOLT

- Rim – 3/4" throw.
Automatic dead-latching by pressing down the Guard Bolt.
- V/R – 1/2" throw.

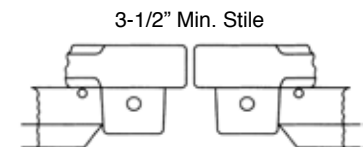
Minimum Stile Requirements

Single Door



Minimum Stile Requirements

Double Door with Two Vertical Rod Type Exit Devices





8800/F8800 Series Grade 1 Rim Device 8900/F8900 Series Grade 1 V/R Exit Device

SPECIFICATIONS

STRIKE

- Rim – Zinc Alloy (9170) for non-fire rated, or Cast Brass (9177) for fire rated.
1/8" Thick Steel Shim (9173) included for 1/2" Door Stop.
- V/R – Top: Zinc Alloy (9171) for non-fire rated, or Cast Brass (9179) for fire rated.
Bottom: Zinc Alloy (9172) for non-fire rated, or Steel (9178-Mortise in type) for fire rated.
- Overlapping Strike (9285) for use on Rim Device with Surface Vertical Rod for Double Door.

FASTENERS

- Furnished with Wood & Machine screw.
- Thru-Bolts for F8800/F8900. (1346/1314)

FINISH

- Aluminum, Duro, US32D, and US19.

HANDING

- Rim – Reversible non-handed.
- V/R – Standard with RHR or LHR, easily field reversible.

DOGGING

- Standard for 8800/8900 non-fire rated type.

CYLINDER DOGGING

- 8800-36-CD & 8800-48-CD.
- 8900-3684-CD & 8900-4896-CD.

ALARM

- Alarm Kit available.

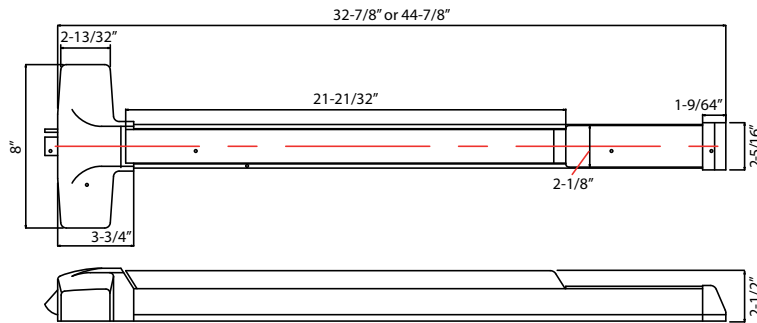


Cylinder Dogging
Applying for
Non-Fire Rated Exit Device

DIMENSIONS

Projection: 2-1/2" maximum.

Overall Size: 8" Height x Width 32-7/8" or 44-7/8".

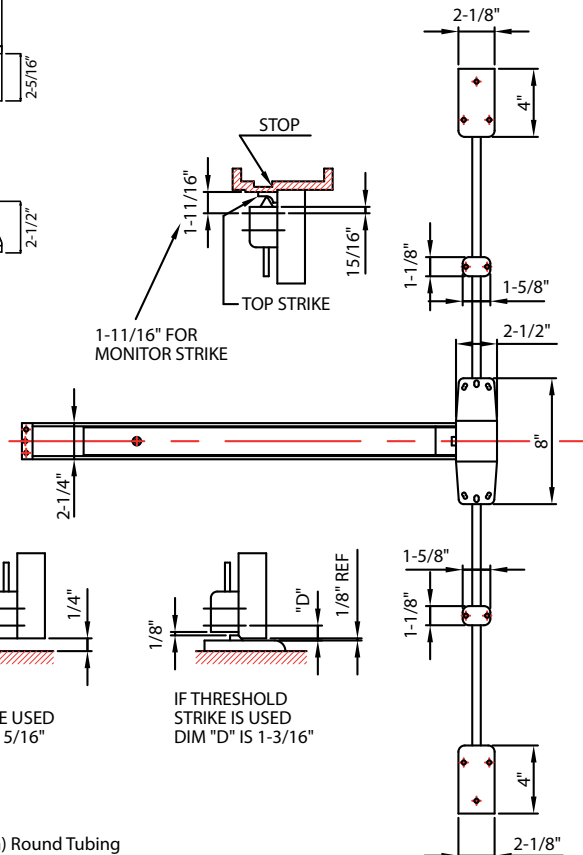


Projection: 2-1/2" maximum.

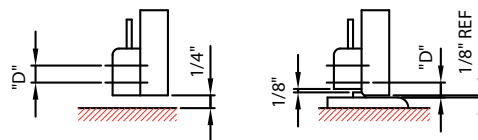
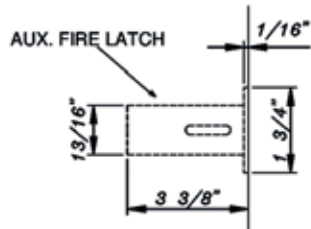
Overall Size: 8" Height x Width 32-7/8" or 44-7/8".

Top Latch Case: 4" Height x Width 2-1/8", Latch Bolt 1/2" throw.

Bottom Latch Case: 4" Height x Width 2-1/8", Latch Bolt 1/2" throw.



Fire Latch for Less Bottom Rod



IF FLAT STRIKES ARE USED
DIM "D" IS 15/16"



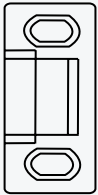
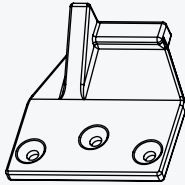
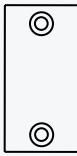
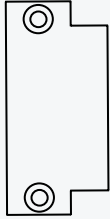
IF THRESHOLD STRIKE IS USED
DIM "D" IS 1-3/16"

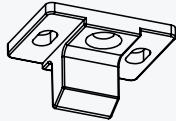
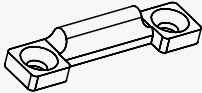
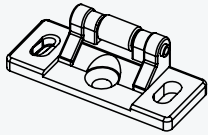
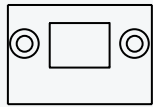


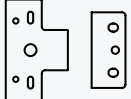
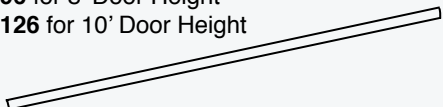

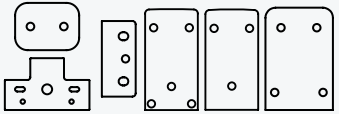
1/2" (13mm) Round Tubing

Strikes & Fillers, and Accessories for 8800/8900



25-Year Warranty

<p>Strike For 8800/F8800</p>  <p>9170 Surface applied</p>	<p>Shim For 9170</p>  <p>9171 Surface applied</p>	<p>Strike For 8800/F8800 in 2-3/8" Backset</p>  <p>9167 Surface applied</p>	<p>Overlapping Strike</p>  <p>9285 Used for double doors on inactive door to receive latch on active door. Surface applied</p>	<p>Fillers</p>  <p>9222 Latch Front Filler 1-1/8" x 2-1/4"</p>  <p>9209 ASA Strike Filler 1-1/4" x 4-7/8"</p>
--	--	--	--	--

<p>Top Strike For 8900/F8900</p>  <p>9172 Surface applied</p>	<p>Alternative Bottom Strike</p>  <p>9174 Applied to surface of floor or to a flat threshold</p>	<p>V/R Bottom Strike For 8900/F8900</p>  <p>9173</p>	<p>Bottom Strike For F8900</p>  <p>9175 Alternate bottom strike that required mortise-in the floor</p>	<p>Fire Latch For Fire Rated Less Bottom Rod (LBR)</p>  <p>9279</p>
<p>Sex-Bolt with Screws 1346 for 1-3/4"~2" Door Thick (6 pcs/pack) 2146 for 2-1/4" Door Thick (6 pcs/pack) 1314 for 1-3/4"~2" Door Thick (14 pcs/pack) 2116 for 2-1/4" Door Thick (14 pcs/pack)</p> 			<p>Glass Bead Shim Kits (1/8" Thick) 1101 for 8800/F8800</p> 	
<p>Extension Top Rod TR96 for 8' Door Height TR126 for 10' Door Height</p> 		<p>Dogging Key</p>  <p>9201-78</p>	<p>Glass Bead Shim Kits (1/8" Thick) 1106 for 8900 1112 for F8900</p> 	

* See Outside Trims on page 16



7000/F7000 Series Grade 1 Rim Device 7100/F7100 Series Grade 1 V/R Exit Device

ANSI GRADE 1
ANSI/BHMA A156.3-2001
Type 1 & Type 2
Exceeds 500,000 Cycles



UL Listed for "A" Label Doors
Rated Up to 3 Hours
UL10C Positive Pressure Rated
Conforms to UBC 7-2 (1997)
UL305 Listed for Panic Hardware
UL10B Neutral Pressure Rated



Comply with
ANSI117.1 for
Accessible and
Usable Buildings
and Facilities
Standards



7000 Rim Device
Aluminum



7100 V/R Device
US32D

SPECIFICATIONS

CERTIFICATIONS

- ANSI Grade 1 approved, exceeds 500,000 cycles.
- UL305 Listed for Panic Hardware.
- UL Listed for up to 3hrs on "A" label Fire Doors.
- UL10B Neutral Pressure rated.
- UL10C/UBC7-2(1997) Positive Pressure rated.
- Comply with ANSI117.1 for accessible and usable Buildings and Facilities Standards.

DOOR FITTING

- 1-3/4" thick standard.
- Rim – 4-1/2" min. stile width for Single Door and 5/8" stop.
- V/R – 4-1/2" minimum stile with outside trim.
3-1/2" minimum stile without outside trim.
- Mounting Height – 41" from CL to finished floor.

DOOR WIDTH

- 36", rail can be cut from the end to fit door size down to 30".
- 48", rail can be cut from the end to fit door size down to 40".

DOOR HEIGHT

- 84" (7') - Standard with 36" Door width.
- 96" (8') - Standard with 48" Door width.

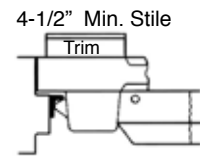
STRUCTURE

- Head Cover – Plated Zinc Alloy.
- Chassis – Steel or Stainless Steel.
- End Cap – Plated Zinc Alloy.
- Rail Assembly – Heavy Gauge Steel or Stainless Steel.

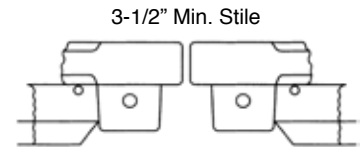
LATCH BOLT

- Rim – 3/4" throw.
Automatic dead-latching by pressing down the Guard Bolt.
- V/R – 1/2" throw.

Minimum Stile Requirements Single Door



Minimum Stile Requirements Double Door with Two Vertical Rod Type Exit Devices



7000/F7000 Series Grade 1 Rim Device 7100/F7100 Series Grade 1 V/R Exit Device



10-Year Warranty

SPECIFICATIONS

STRIKE

- Rim – Zinc Alloy (9170) for non-fire rated, or Cast Brass (9177) for fire rated.
1/8" thick shim (9173) included for 1/2" door stop.
- V/R – Top: Zinc Alloy (9171) for non-fire rated, or Cast Brass (9179) for fire rated.
Bottom: Zinc Alloy (9172) for non-fire rated, or Steel (9178-Mortise in type) for fire rated.
- Overlapping Strike (9285) for use on Rim Device with Surface Vertical Rod.

FASTENERS

- Furnished with wood & Machine screw.
- Thru-Bolts for F7000/F7100. (1346/1314)

FINISH

- Aluminum, Duro, US32D, and US19.

HANDING

- Rim – Reversible non-handed.
- V/R – Standard with RHR or LHR, easily field reversible.

DOGGING

- Standard for 7000/7100 non-fire rated type.

CYLINDER DOGGING

- 7000-36-CD & 7000-48-CD.
- 7100-3684-CD & 7100-4896-CD.

ALARM

- Alarm Kit available, Item code – AK36 or AK48.

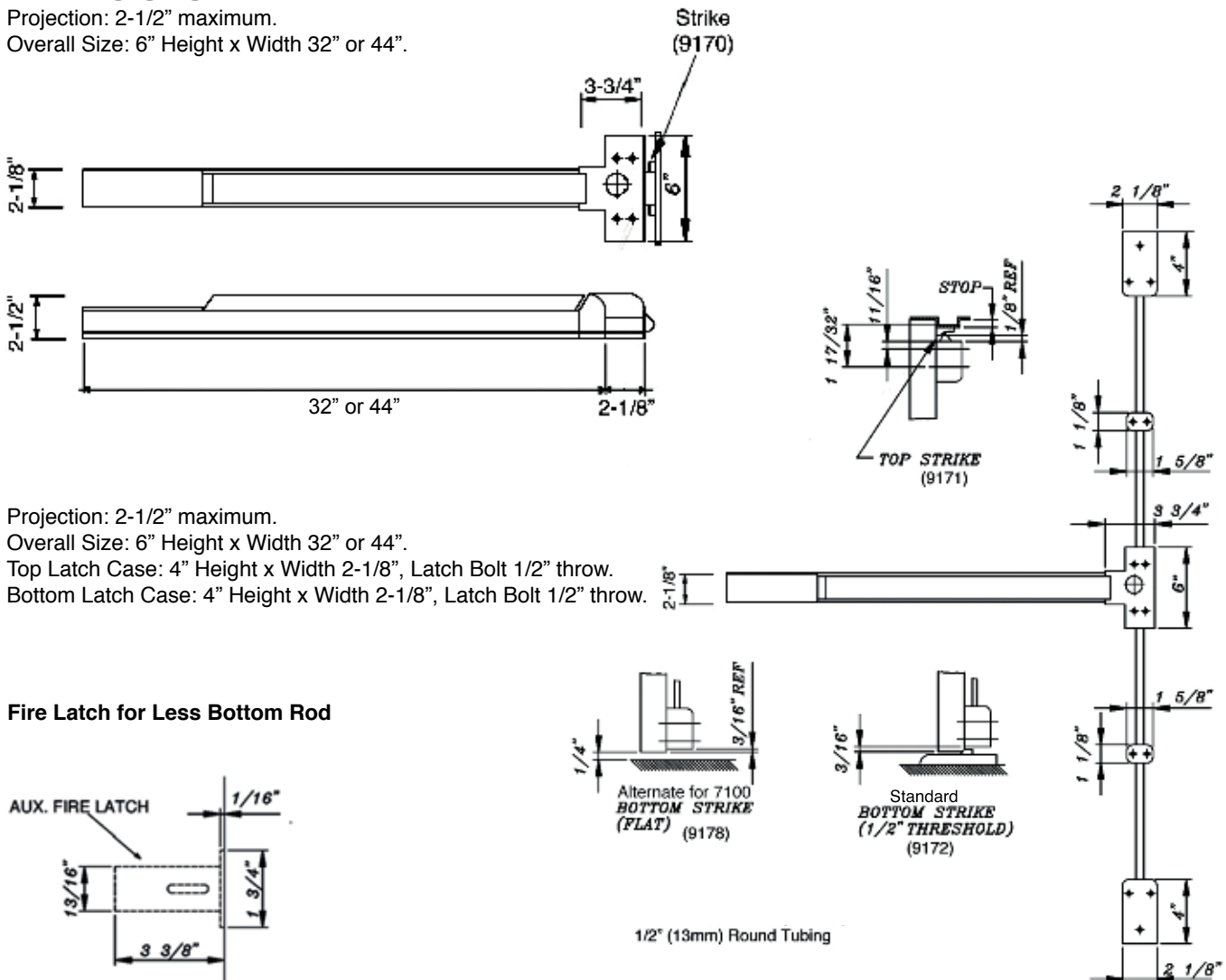


Cylinder Dogging
Applying for
Non-Fire Rated Exit Device

DIMENSIONS

Projection: 2-1/2" maximum.



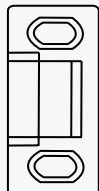
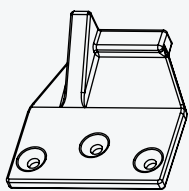


Overall Size: 6" Height x Width 32" or 44".

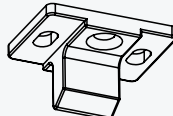
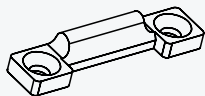
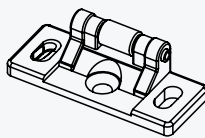
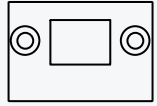





LISTED

Strikes & Fillers, and Accessories for 7000/7100

<p>Strike For 7000/F7000</p>  <p>9170 Surface applied</p>	<p>Shim For 9170</p>  <p>9171 Surface applied</p>	<p>Strike For 7000/F7000 in 2-3/8" Backset</p>  <p>9167 Surface applied</p>	<p>Overlapping Strike</p>  <p>9285 Used for double doors on inactive door to receive latch on active door. Surface applied</p>	<p>Fillers</p>  <p>9222 Latch Front Filler 1-1/8" x 2-1/4"</p>  <p>9209 ASA Strike Filler 1-1/4" x 4-7/8"</p>
--	--	--	--	--

<p>Top Strike For 7100/F7100</p>  <p>9172 Surface applied</p>	<p>Alternative Bottom Strike</p>  <p>9174 Applied to surface of floor or to a flat threshold</p>	<p>V/R Bottom Strike For 7100/F7100</p>  <p>9173</p>	<p>Bottom Strike For F7100</p>  <p>9175 Alternate bottom strike that required mortise-in the floor</p>	<p>Fire Latch For Fire Rated Less Bottom Rod (LBR)</p>  <p>9279</p>
--	---	---	--	--

<p>Sex-Bolt with Screws 1346 for 1-3/4"~2" Door Thick (6 pcs/pack) 2146 for 2-1/4" Door Thick (6 pcs/pack) 1314 for 1-3/4"~2" Door Thick (14 pcs/pack) 2116 for 2-1/4" Door Thick (14 pcs/pack)</p> 	<p>Glass Bead Shim Kits (1/8" Thick) 1001 for 7000/F7000</p> 	
<p>Extension Top Rod TR96 for 8' Door Height TR126 for 10' Door Height</p> 	<p>Dogging Key</p>  <p>9201-78</p>	<p>Glass Bead Shim Kits (1/8" Thick) 1006 for 7100 1012 for F7100</p> 

Outside Trim Selections for 7000/7100, 8800/8900

- Cylinder: Solid Brass SC4 6-pins standard. KW1 5-pins optional. IC Core available (SFIC)

LEVER TRIM

- Non handed
- Standard for 1-3/4" – 2" door thick.
- Finishes - US26D and US10B.

• 500L/500EL - Entrance

Key retracts latch bolt, unlocks lever.
ANSI function - 08

• 504L/504EL - Night Latch

Key operates lever, otherwise always locked.

ANSI function - 09

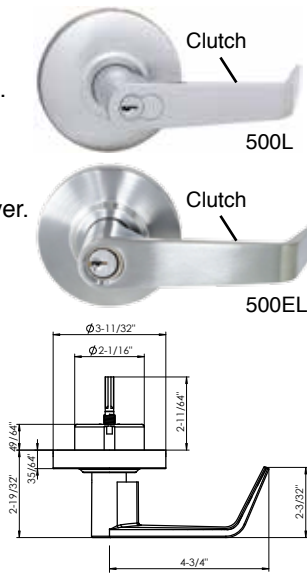
• 501L/501EL - Passage

Lever always operable and free.

ANSI function - 14

• 515L/515EL - Dummy

ANSI function - 02



ESCUTCHEON LEVER TRIM

- Standard for 1-3/4" ~ 2" door thick.
- Use extension kits 5214 for 2-1/4" door thick.
- Reversible lever design with clutch feature.
- Hardened steel heavy duty tailpiece.
- Finishes – Aluminum, Duro, US26D and US19.

• 700ETL - Entrance

Key retracts latch bolt, unlocks lever.
ANSI function - 08

• 704ETL - Storeroom

Key operates lever, otherwise always locked.
ANSI function - 09

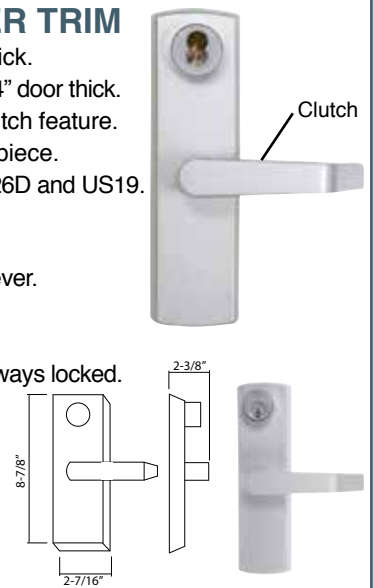
• 701ETL - Passage

Lever always operable and free.

ANSI function - 14

• 715ETL - Dummy

ANSI function - 02



THUMBPIECE TRIM

- Standard for 1-3/4" door thick.
- Optional for 2" ~ 2-1/4" door thick.
- Finishes – Aluminum, Duro, US32D

• 400TP - Entrance

Key locks or unlocks thumbpiece.
ANSI function - 05

• 404TP - Night Latch

Key unlocks thumbpiece, otherwise always locked.

ANSI function - 06

• 401TP - Passage

Thumbpiece always active.

ANSI function - 15

• 415TP - Dummy

ANSI function - 02



PULL TRIM

- Standard for 1-3/4" door thick.
- Optional for 2" ~ 2-1/4" door thick.
- Finishes – US32D and US10B.

• 611PT - Night Latch

(For rim device only)
Key retracts latch bolt.
ANSI function - 03

• 615PT - Dummy

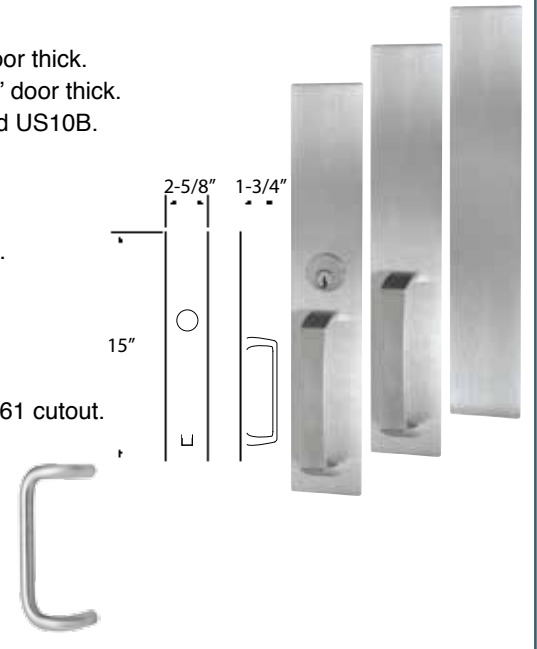
ANSI function - 02

• 630PT - Cover Plate

Blank plate to cover 161 cutout.

90° Offset Door Pull

1" Dia.
S1010 - 10" CTC
S1012 - 12" CTC
Dummy(02)




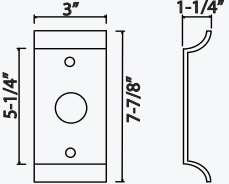


OUTSIDE PLATE TRIM 611OP available with mounting bracket

Trim is furnished with two mortise nuts and screws for 1-3/4" door standard. Optional for up to 2-1/4" doors.

Design trim will cover a 161 cutout. (For rim device only)

Finishes – Aluminum and Duro.

611OP Night Latch	615OP Dummy	630OP Cover Plate	
For rim device only. Outside by pull and key. Key retracts latch bolt. Covers 161 cutout. ANSI function-03	Outside by pull only. Pull when dogged. Covers 161 cutout. ANSI function-02	Blank plate to cover 161 cutout.	
			



2500/F2500 Series Grade 1 Rim Device 2700/F2700 Series Grade 1 V/R Exit Device

ANSI GRADE 1
ANSI/BHMA A156.3-2001
Type 1 & Type 2
Exceeds 500,000 Cycles



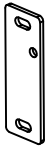
UL Listed for "A" Label Doors
Rated Up to 3 Hours
UL10C Positive Pressure Rated
Conforms to UBC 7-2 (1997)
UL305 Listed for Panic Hardware
UL10B Neutral Pressure Rated



Comply with
ANSI117.1 for
Accessible and
Usable Buildings
and Facilities
Standards



2570 Strike



2571 Shim



2500 Rim Device
Aluminum



2572 Top Strike



2700 V/R Rim Device
US32D



2573 Standard Bottom Strike

SPECIFICATIONS

CERTIFICATIONS

- ANSI Grade 1 approved, exceeds 500,000 cycles.
- UL305 Listed for Panic Hardware.
- UL Listed for up to 3hrs on "A" label Fire Doors.
- UL10B Neutral Pressure rated.
- UL10C/UBC7-2(1997) Positive Pressure rated.
- Comply with ANSI117.1 for accessible and usable Buildings and Facilities Standards.

DOOR FITTING

- 1-3/4" thick standard.
- Rim – 4-1/2" min. stile width for Single Door and 5/8" stop.
- V/R – 4-1/2" minimum stile with trim.
3-1/2" minimum stile without trim.
- Mounting Height – 41" from CL to finished floor.

DOOR WIDTH

- 36", rail can be cut from the end to fit door size down to 30".
- 48", rail can be cut from the end to fit door size down to 40".

DOOR HEIGHT

- 84" (7') - Standard with 36" Door width.
- 96" (8') - Standard with 48" Door width.
- 1' long Extension Rod available. (ETR12)

STRUCTURE

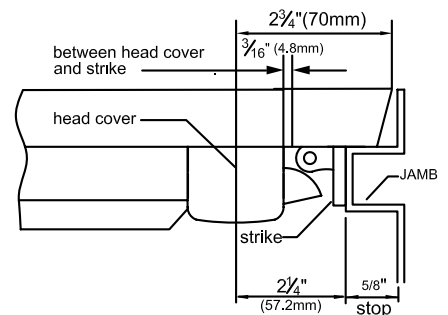
- Head Cover – Plated Zinc Alloy.
- Chassis – Steel or Stainless Steel.
- End Cap – Plated Zinc Alloy.
- Rail Assembly – Heavy Gauge Steel or Stainless Steel.

LATCH BOLT

- Rim – Stainless Steel, 3/4" throw.
- V/R – Top: Stainless Steel, 19/32" throw.
Bottom: Stainless Steel, 21/32" throw.

Mount with Outside Trim

Standard Backset 2-3/4" Stop 5/8"



2500/F2500 Series Grade 1 Rim Device 2700/F2700 Series Grade 1 V/R Exit Device



25-Year Warranty

SPECIFICATIONS

STRIKE

- Rim – Solid Stainless Steel (2570). 1/8" Thick Steel Shim (2571) included for 1/2" Door Stop.
- V/R – Top: Stainless Steel with roller. (2572)
Bottom: Stainless Steel with roller. (2573) Alternative Bottom Strike – 2574 & 2575.
- Overlapping Strike (2285) for use on Rim Device with Surface Vertical Rod.

FASTENERS

- Furnished with wood & Machine screw.
- Thru-Bolts for F2500/F2700. (1345/1349)

FINISH

- Aluminum, Duro, US32D, and US19.

HANDING

- Rim – Reversible non-handed.
- V/R – Standard with RHR or LHR, easily field reversible.

DOGGING

- Standard for 2500/2700 only, Cylinder Dogging optional (with Dogging Kit – 2CD36 or 2CD48).

ALARM

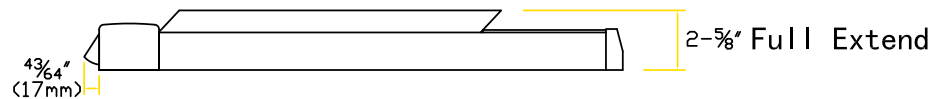
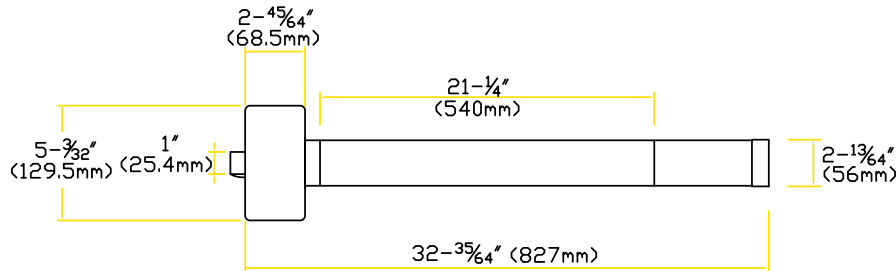
- Alarm Kit available, Item code – 2AK36 or 2AK48.



DIMENSIONS

Projection: 2-5/8" maximum, 1-27/32" dogged.

Overall Size: 5-3/32" Height x Width 32-34/64" or 44-34/64".

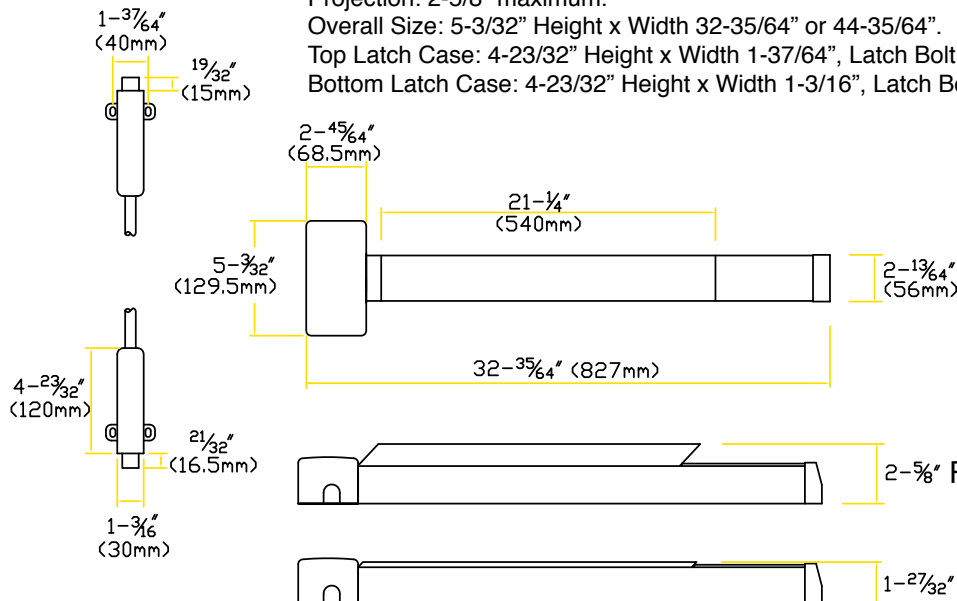


Projection: 2-5/8" maximum.

Overall Size: 5-3/32" Height x Width 32-35/64" or 44-35/64".

Top Latch Case: 4-23/32" Height x Width 1-37/64", Latch Bolt 19/32" throw.






Bottom Latch Case: 4-23/32" Height x Width 1-3/16", Latch Bolt 21/32" throw.



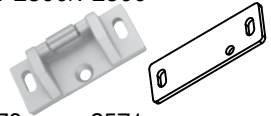



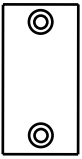




2500/F2500 Series Grade 1 Rim Device 2700/F2700 Series Grade 1 V/R Exit Device


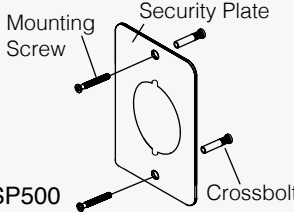
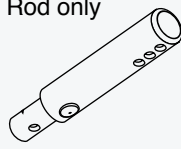
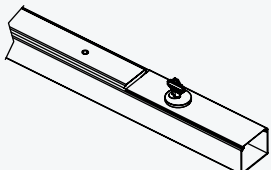
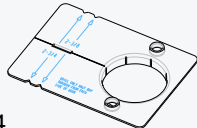

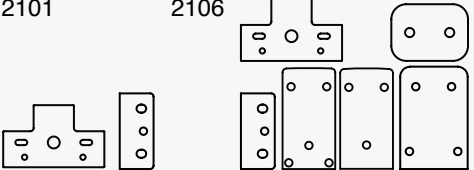
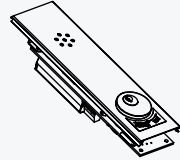
OUTSIDE TRIMS

<p>500L/500EL Lever Trim Finish: US26D, US10B Functions(ANSI): 500L/500EL Entrance(08) 504L/504EL Storeroom(09) 501L/501EL Passage(14) 515L/515EL Dummy(02)</p>  <p>500L 500EL Clutch</p>	<p>700ETL Escutcheon Lever Trim Finish: Aluminum, Duro, US26D Functions(ANSI): 700ETL Entrance(08) 701ETL Passage(14) 704ETL Storeroom(09) 715ETL Dummy(02)</p>  <p>Clutch</p>	<p>400TP Thumbpiece Trim Finish: Aluminum, Duro, US32D Functions(ANSI): 400TP Entrance(05) 401TP Passage(15) 404TP Night Latch(06) 415TP Dummy(02)</p> 	<p>611PT Pull Trim Finish: US10B, US32D Functions(ANSI): 611PT Night Latch(03) 615PT Dummy(02) 630PT Cover Plate 90° Offset Door Pull 1" Dia. S1010 - 10" CTC S1012 - 12" CTC Dummy(02)</p> 	<p>611OP Outside Plate Trim Finish: Aluminum, Duro Functions(ANSI): 611OP Night Latch(03) 615OP Dummy(02) 630OP Cover Plate</p> 
---	--	---	---	--

STRIKES & FILLERS

<p>Surface Strike and Shim For 2500/F2500</p>  <p>2570 2571 Shim, 1/8" thick</p>	<p>V/R Top Strike</p>  <p>SVRTS72</p>	<p>V/R Bottom Strike</p>  <p>SVRBS73</p>	<p>Alternative Bottom Strike</p>  <p>SVRABS74 SVRCBS75</p>
<p>Filler</p>  <p>9222 Latch front filler 1-1/8" x 2-1/4"</p>	<p>Filler</p>  <p>9209 ASA strike filler 1-1/4" x 4-7/8"</p>	 <p>2285</p>	<p>Overlapping Strike</p> <p>Used for double door on inactive door to receive latch on active door.</p>

ACCESSORIES

<p>Thru-Bolt For Door 1-3/4" ~ 2" 1345 – for 2500/F2500(5pcs) 1349 – for 2700/F7500(9pcs) For Door 2" ~ 2-1/4" 2145 – for 2500/F2500(5pcs) 2149 – for 2700/F2700(9pcs) Finish: US32</p> 	<p>Security Plate Use on 500L</p>  <p>Mounting Screw Security Plate Crossbolt SP500</p>	<p>Extension Rod ETR12 – 1' extension</p> <p>* For extend the Top Rod only</p> 	<p>Cylinder Dogging Kit</p>  <p>2CD36 – for Exit Device 36" 2CD48 – for Exit Device 48"</p>
<p>Thru-Bolt Jig For 500L Vertical Thru-Bolt Backset 2-3/4", CTC 2-3/4"</p>  <p>9234</p>	<p>Dogging Key</p>  <p>9201</p>	<p>Glass Bead Shim Kits For 2500/F2500 For 2700/F2700</p> <p>2101 2106</p> 	<p>Alarm Kit (with decal)</p>  <p>2AK36 – for door width 36" 2AK48 – for door width 48"</p>

DESIGN

- Alarm units have an internal horn. When the push rail is depressed, the horn sounds to provide an audible signal that the door has been opened and violated.
- The alarm unit has a 2~2.5 minute alarm cutoff (factory pre-set.) This feature can also be manually reset.
- Jumper cable is provided to switch to continuous alarm.
- When battery is weak, the horn will emit an intermittent signal.
- Alarm units are supplied with two switches. One switch monitors the push rail and the other switch monitors the latch bolt for full security.
- Alarm unit includes "EMERGENCY EXIT ONLY ALARM WILL SOUND" decal to be applied on the door or unit itself.



PRODUCT AVAILABILITY

ITEM	DESCRIPTION	FINISH (BHMA)
9AK36	Alarm Kit for 9500/9700 series Exit Device 36"	US32D (630)
9AK48	Alarm Kit for 9500/9700 series Exit Device 48"	US32D (630)
2AK36	Alarm Kit for 2500/2700 series Exit Device 36"	Aluminum(689) Duro (695)
2AK48	Alarm Kit for 2500/2700 Exit Device 48"	
7AK36	Alarm Kit for 7000/7100/8800/8900 Exit Device 36"	US32D (630)
7AK48	Alarm Kit for 7000/7100/8800/8900 Exit Device 48"	

9100/F9100 Series Heavy Duty Mullion - Screw Locking 9200/F9200 Series Heavy Duty Mullion - Cylinder Locking



Removable Mullions are applied to Rim Type Exit Devices on non-fire or fire rated pairs of doors. They are designed for faster and easily removing from the top bracket by a simple operation of screw or rim cylinder when a clear, unobstructed large opening is required. When the mullion is re-installed, the unit will self lock in place without use of a screw driver or cylinder key. Each removable mullion set includes top bracket set & bottom bracket set, mullion tube, shims. Fire-rated mullion is certified by UL.

9100/9200 for use with Panic-Rated Rim Exit Devices on no-fire pairs of doors
F9100/F9200 for use with Fire-Rated Rim Exit Devices on fire-rated pairs of doors



SPECIFICATIONS

MULLION TUBE

- 2" (51 mm) wide x 3" (76mm) deep, with wall thickness of 1/8" (3mm), 11 Gauge Steel Tube.

MULLION SIZE

- 7' (2134mm), 8' (2438mm) or 10' (3048mm) three (3) sizes. Mullion may be field cut to fit proper size.

TOP BRACKET

- Steel, using screw driver or key to remove the mullion in seconds. Mullion can be locked in top bracket easily without using screw driver or key.

BOTTOM BRACKET

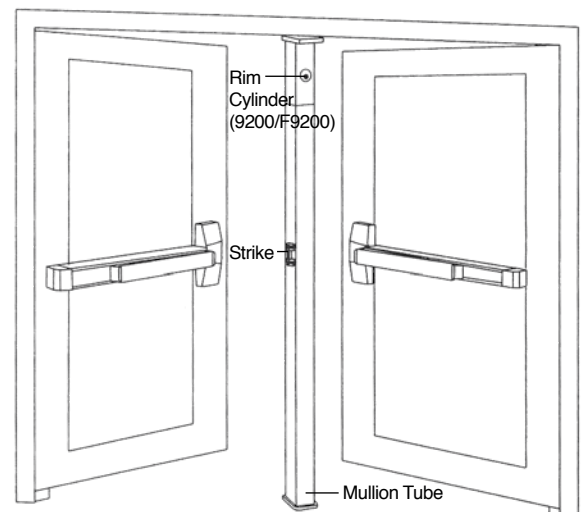
- Steel, fixed by 4 hex bolts with nonferrous anchors.

SHIMS

- 1/2" (13mm) and 5/8" (16mm) shims included.

FINISH

- Gray baked powder coating only.

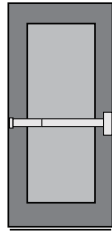




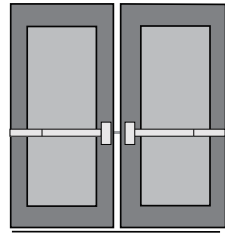
Exit Device Product Selector

Double Doors with Mullion * Door Opening for 10' height is available with Extension Top Rod

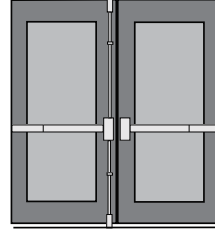
Single Doors



Rim Type



2 Rim Type with Mullion

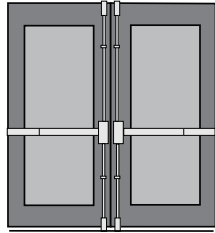


Double Doors without Mullion

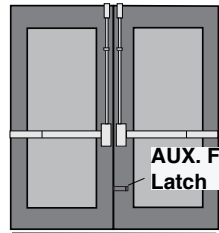
1 Vertical Rod and 1 Rim Type (Overlapping Strike and Coordinator Recommended)

Double Doors without Mullion

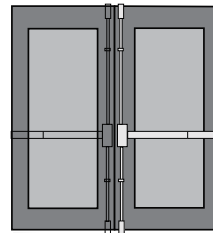
Double Doors without Mullion



2 Vertical Rod Type



2 Vertical Rod Less Bottom Rod
AUX. Fire Latch



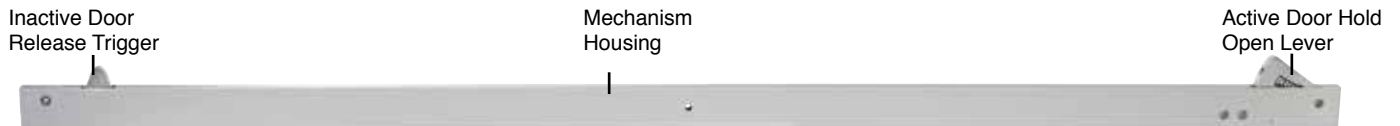
Double Doors without Mullion

2 Vertical Rod Type, 1 on each side

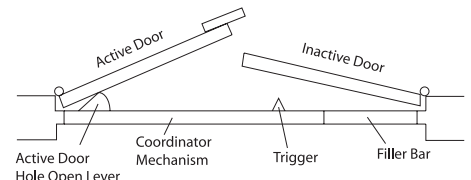
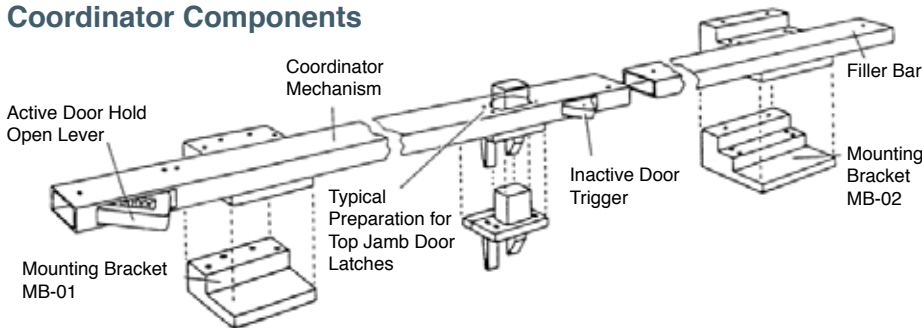


Accessories - Door Coordinator

Stop Applied Coordinator

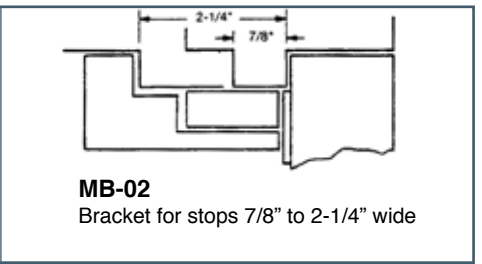
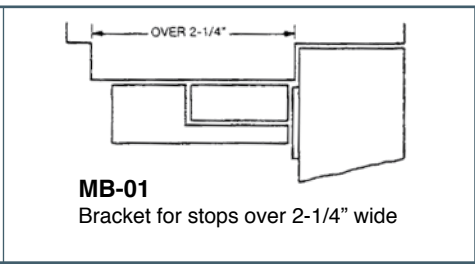
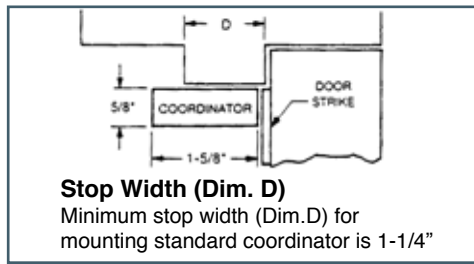


Coordinator Components



NOTE

Frame Opening 6' use C52+FB1858
 Frame Opening 7' use C52+FB3200
 Frame Opening 8' use C60+FB3200



PRODUCT AVAILABILITY

CB-01

Carry bar for coordinator
 For use on pair of doors with Mullion



Size: 1-3/4" x 2-1/4" plate
 Finish: Aluminum, Duro

ITEM	DESCRIPTION	FINISH
C52	Double Door Coordinator 52"	Aluminum
C60	Double Door Coordinator 60"	Duro
FB1858	18-5/8" Filler Bar for Coordinator	
FB3200	32" Filler Bar for Coordinator	
CB-01	Carry Bar	
MB-01	Mounting Bracket for Stops over 2-1/4" Wide	Black
MB-02	Mounting Bracket for Stops 7/8" to 2-1/4" Wide	

MANUAL FLUSH BOLT



EFB-01

For Metal Door

For use on hollow metal or fire rated doors.

Standard with 12" ext. rod, extra length available in size 18", 24", 36" & 48".



EFB-02

For Wood Door

For use with wood composite/ fire rated doors.



* Bolt head rod is adjustable

AUTOMATIC FLUSH BOLT SET



AFB-01

For Metal Door

Faceplate: 1" x 6-3/4"
• 3hrs fire rating

Fully automatic - Bolts retract when active door is opened; bolts extend when active door is closed. Thermal lock automatically locks inactive door under high fire/heat conditions. 9278 dust proof strikes are recommended for use together.



AFB-02

For Wood Covered Composite Doors

Faceplate: 1" x 8-1/2"
• 1-1/2hrs fire rating



* Bolt head rod is adjustable

SELF LATCHING FLUSH BOLT SET



SFB-01

For Metal Door

Faceplate: 1" x 6-3/4"
• 3hrs fire rating

Top bolt can be manually released by pressing plunger - Inactive door will re-latch automatically when closed. Thermal lock automatically locks inactive door under high fire/heat conditions. 9278 dust proof strikes are recommended for use together.



SFB-02

For Wood Covered Composite Doors

Faceplate: 1" x 8-1/2"
• 1-1/2hrs fire rating



This combination eliminates the bottom flush bolt and eliminates floor preparation:

Metal Door – 3hrs fire rating

Wood Door – 20mins fire rating



AFB-19

Automatic Flush Bolt with Fire Bolt for metal door



AFB-29

Automatic Flush Bolt with Fire Bolt for wood door



SFB-19

Self-Latching Flush Bolt with Fire Bolt for metal door



SFB-29

Self-Latching Flush Bolt with Fire Bolt for wood doors



* Bolt head rod is adjustable

DUST PROOF STRIKE

9278

Spring loaded plunger returns to floor or threshold level anytime flushbolt is retracted.

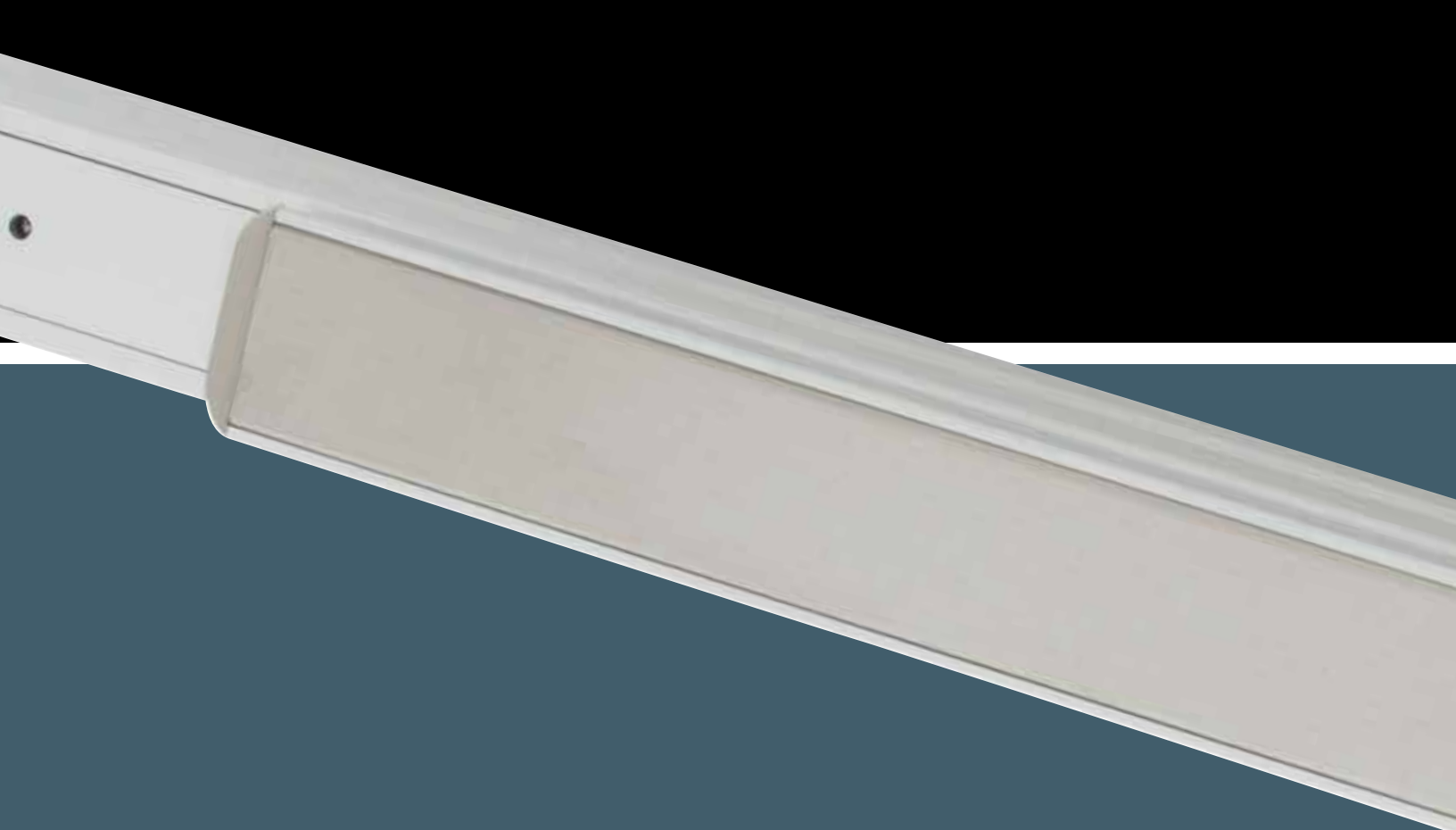


AUXILIARY FIRE LATCH

9279

Installed in bottom door edge of active door to replace the bottom flush bolt. Temperature-actuated bolt automatic extends at 230F.





DISTRIBUTION BY:



Philadelphia Hardware Group Inc.

SAN DIEGO DISTRIBUTION CENTER

(Home Office)
6590 Top Gun Street
San Diego, CA 92121
Tel: (858) 642-0450
Fax: (858) 642-0454
Toll Free Tel: 1-800-545-2309
Toll Free Fax: 1-800-828-0988
www.philihardware.com

CHICAGO DISTRIBUTION CENTER

3687 Darlene Court
Aurora, IL 60504
Toll Free Tel: 1-800-545-2309

ATLANTA DISTRIBUTION CENTER

422 Thornton Road, Suite 105
Lithia Springs, GA 30122
Toll Free Tel: 1-800-545-2309

DALLAS DISTRIBUTION CENTER

2611 Irving Boulevard
Dallas, TX 75207
Toll Free Tel: 1-800-545-2309